

NOTES:

1. SUBSTRATE MATERIAL:
N-BK7

2. COATING (APPLY ACROSS CLEAR APERTURE)

S1 & S2: VIS-NIR

R(abs) ≤0.25% @ 880nm

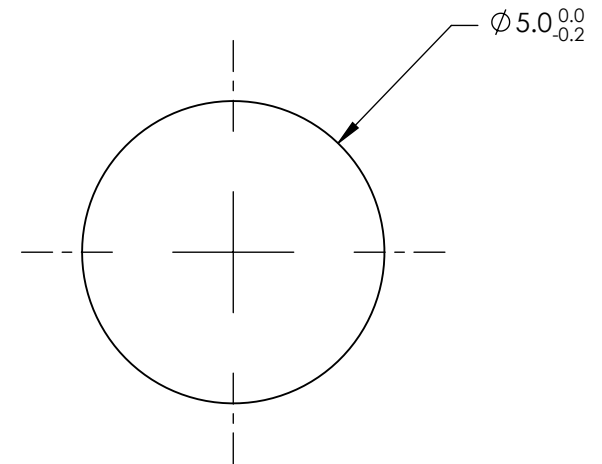
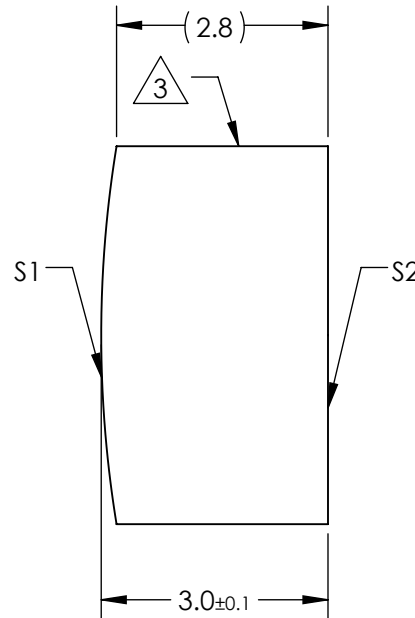
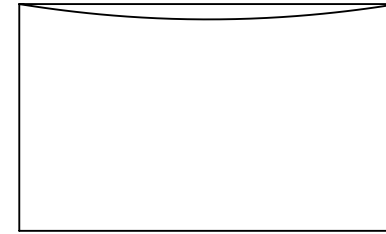
R(avg) ≤1.25% @ 400 - 870nm

R(avg) ≤1.25% @ 890 - 1000nm

3. FINE GROUND SURFACE


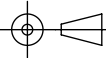
4. POWER, IRREGULARITY, AND SURFACE QUALITY SPECIFICATIONS APPLY ACROSS CLEAR APERTURE

5. RoHS COMPLIANT



**FOR INFORMATION ONLY:
DO NOT MANUFACTURE
PARTS TO THIS DRAWING**

SPECIFICATIONS SUBJECT TO CHANGE WITHOUT NOTICE
DIMENSIONS ARE FOR REFERENCE ONLY

REV. A	S1	S2	EFL	30	 Edmund Optics®	
SHAPE	CONVEX	PLANO	BFL	28.02		
RADIUS	15.5	∞	THIRD ANGLE PROJECTION 		TITLE	5mm DIA X 30mm FL VIS-NIR COATED, CYLINDER LENS
SURFACE QUALITY	60-40	60-40	ALL DIMS IN	mm	DWG NO	47955
CLEAR APERTURE	Ø4.00	Ø4.00	SHEET 1 OF 1			
COATING APERTURE	Ø4.00	Ø4.00				
BEVEL	PROTECTED AS NEEDED	PROTECTED AS NEEDED				