

NOTES:

1. SUBSTRATE MATERIAL:  
N-SF11

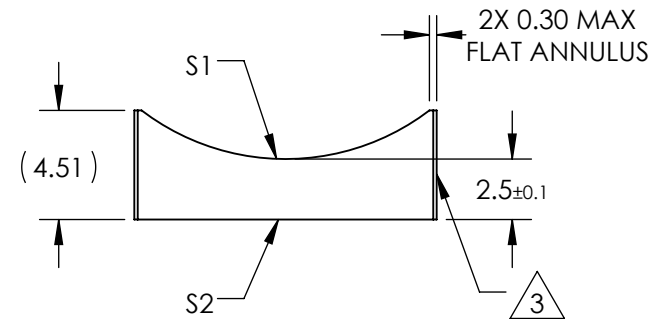
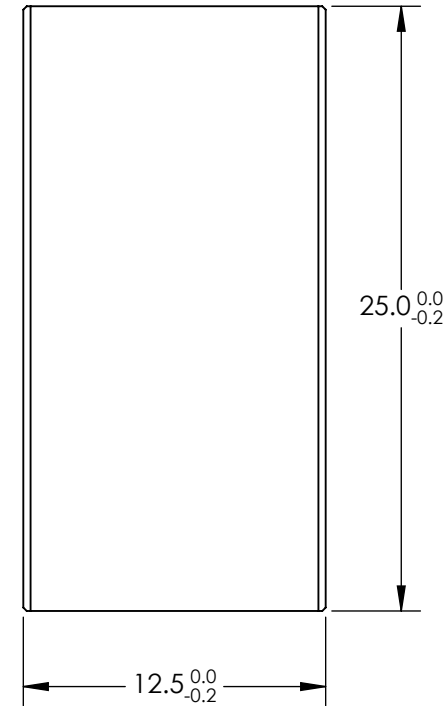
2. COATING (APPLY ACROSS CLEAR APERTURE)

S1 & S2: NONE

3. FINE GROUND SURFACE

4. POWER, IRREGULARITY, AND SURFACE QUALITY  
SPECIFICATIONS APPLY ACROSS CLEAR APERTURE

5. RoHS COMPLIANT



**FOR INFORMATION ONLY:  
DO NOT MANUFACTURE  
PARTS TO THIS DRAWING**

SPECIFICATIONS SUBJECT TO CHANGE WITHOUT NOTICE  
DIMENSIONS ARE FOR REFERENCE ONLY

REV. A	S1	S2	EFL	-12.5		<b>Edmund Optics®</b> 12.5mm H X 25mm L X -12.5mm FL UNCOATED, CYLINDER LENS	
SHAPE	CONVEX	PLANO	BFL	-13.9			
RADIUS	-9.81	∞	THIRD ANGLE PROJECTION		TITLE		
SURFACE QUALITY	60-40	60-40	ALL DIMS IN	mm	DWG NO	68052	SHEET 1 OF 1
CLEAR APERTURE	11.50 X 24.00	11.50 X 24.00					
COATING APERTURE	11.50 X 24.00	11.50 X 24.00					
BEVEL	PROTECTED AS NEEDED	PROTECTED AS NEEDED					