

NOTES:

1. SUBSTRATE MATERIAL:
BOROFLOAT®

2. COATING (APPLY ACROSS CLEAR APERTURE)

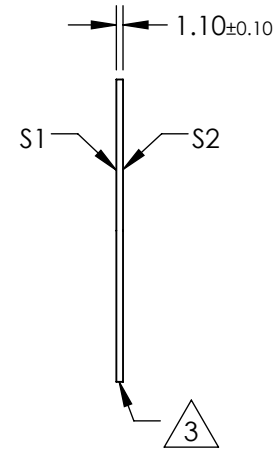
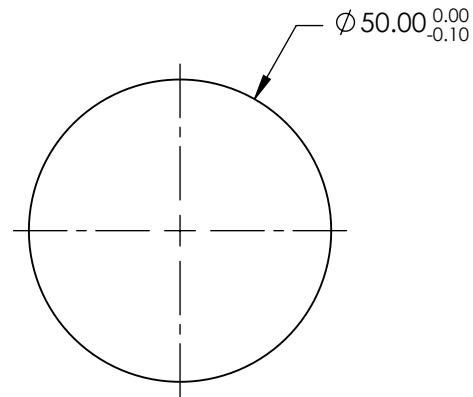
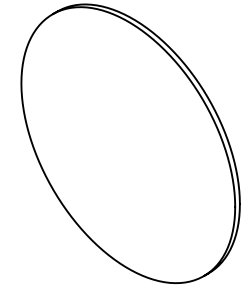
S1: R(avg) <0.5% @ 425 - 675nm

HYDROPHOBIC COATING - REPELS WATER, OIL AND DEBRIS

S2: NONE

3. FINE GRIND SURFACE

4. ROHS COMPLIANT



**FOR INFORMATION ONLY:
DO NOT MANUFACTURE
PARTS TO THIS DRAWING**

SPECIFICATIONS SUBJECT TO CHANGE WITHOUT NOTICE
DIMENSIONS ARE FOR REFERENCE ONLY

	S1	S2
SHAPE	PLANO	PLANO
SURFACE QUALITY	80-50	80-50
CLEAR APERTURE	45	45
BEVEL	PROTECTIVE AS NEEDED	PROTECTIVE AS NEEDED

THIRD ANGLE PROJECTION

ALL DIMS IN mm

EO® Edmund Optics®

TITLE

Ø50mm HYDROPHOBIC WINDOW

DWG NO

34527

SHEET
1 OF 1