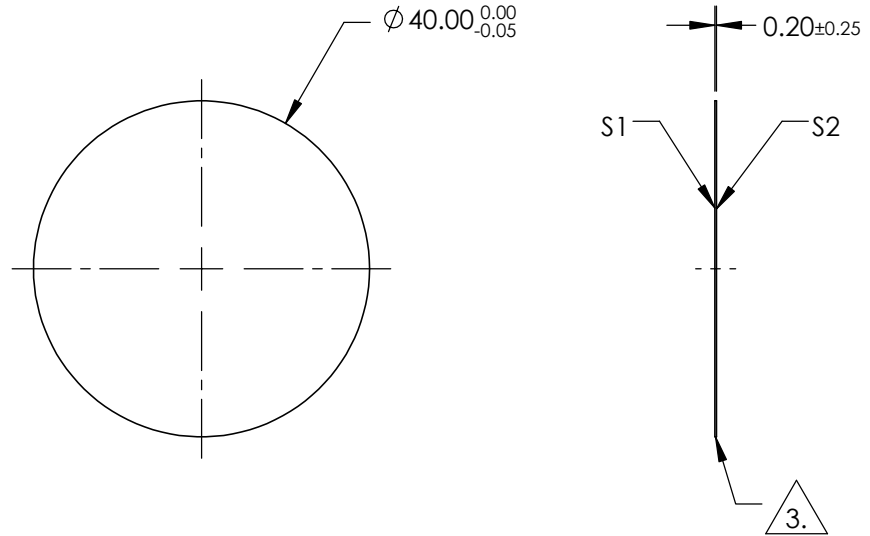


NOTES:

- 1. SUBSTRATE: N-BK7
- 2. COATING (APPLY ACROSS COATING APERTURE)
S1: UNCOATED
S2: UNCOATED

 FINE GRIND SURFACE

- 4. SURFACE S2 TO BE PARALLEL TO SURFACE S1 WITHIN 30 ARCSEC
- 5. POWER, IRREGULARITY, AND SURFACE QUALITY SPECIFICATIONS APPLY ACROSS CLEAR APERTURE
- 6. RoHS COMPLIANT



**FOR INFORMATION ONLY:
DO NOT MANUFACTURE
PARTS TO THIS DRAWING**

SPECIFICATIONS SUBJECT TO CHANGE WITHOUT NOTICE
DIMENSIONS ARE FOR REFERENCE ONLY

	S1	S2
SHAPE	PLANO	PLANO
SURFACE QUALITY	40-20	40-20
CLEAR APERTURE	90%	90%
BEVEL	PROTECTIVE AS NEEDED	PROTECTIVE AS NEEDED

THIRD ANGLE PROJECTION 

ALL DIMS IN mm

 **Edmund Optics®**

TITLE 40mm DIAMETER UNCOATED, ULTRA-THIN N-BK7 WINDOW

DWG NO 66190

SHEET 1 OF 1