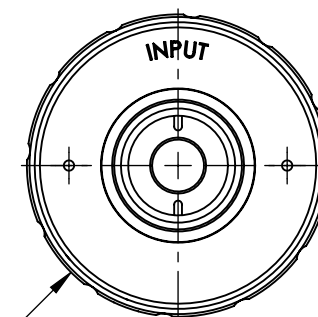
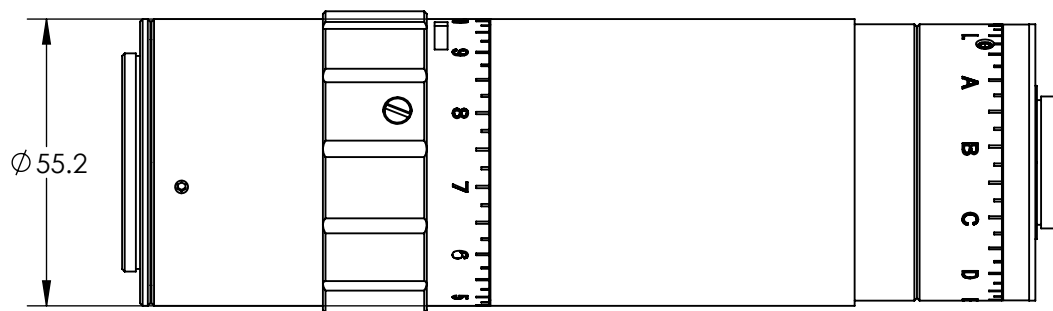
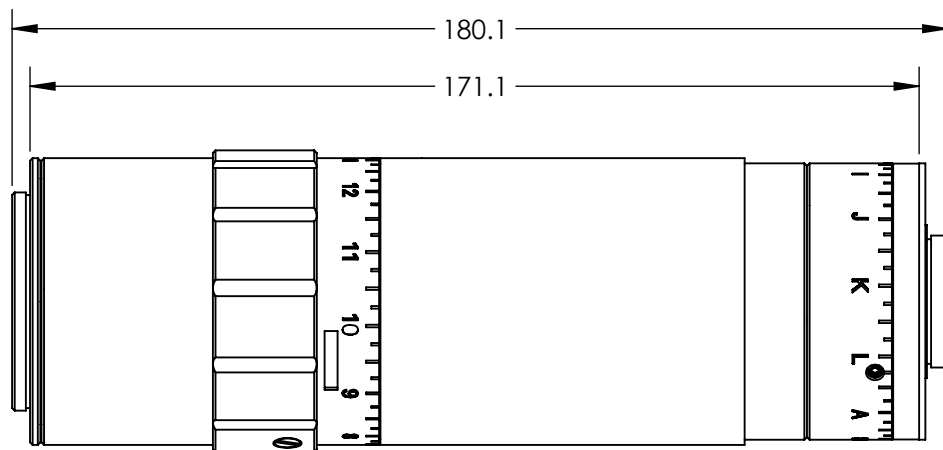
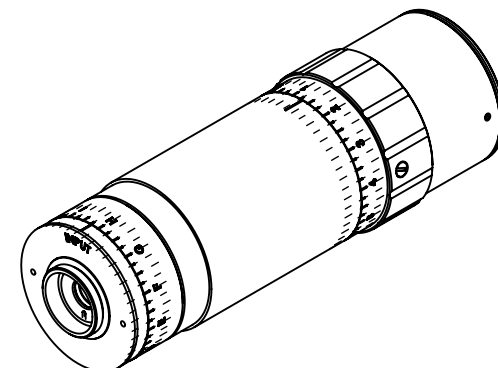


NOTES:

1. COATING (APPLY ACROSS CLEAR APERTURE)
LASER V-COAT
R(abs) 0.25% @ 266 nm
2. RoHS COMPLIANT



Ø58.2

**FOR INFORMATION ONLY:
DO NOT MANUFACTURE
PARTS TO THIS DRAWING**

SPECIFICATIONS SUBJECT TO CHANGE WITHOUT NOTICE
DIMENSIONS ARE FOR REFERENCE ONLY

REV. A	
DAMAGE THRESHOLD (PULSED)	2 J/cm ² @ 10ns, 20 Hz, 266nm
DESIGN WAVELENGTH DWL (nm)	266
TRANSMISSION	>95%@ DWL
TRANSMITTED WAVEFRONT, P-V	<λ/4 @ 266nm for Input Beam ≤5mm



ALL DIMS IN mm

EO® Edmund Optics®

TITLE	266 nm 1X - 3X VARIABLE BEAM EXPANDER		
DWG NO	87559	SHEET	1 OF 1