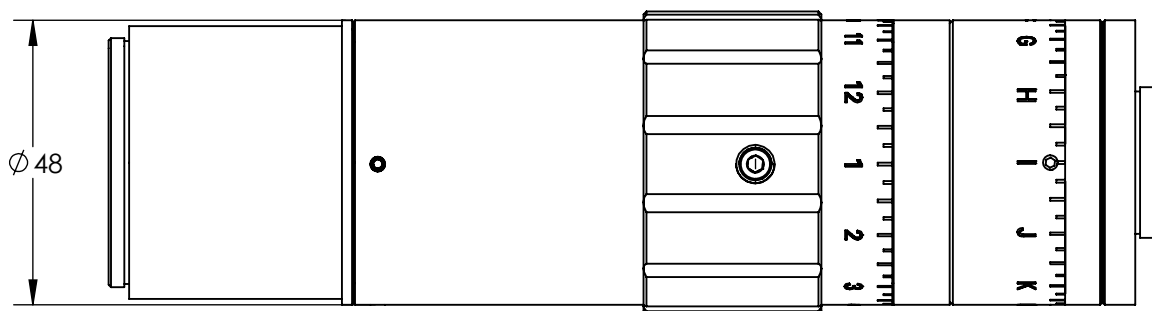
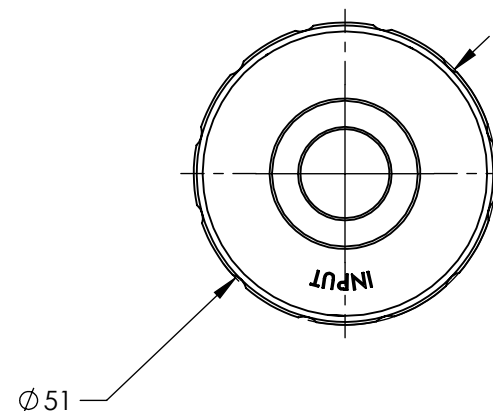
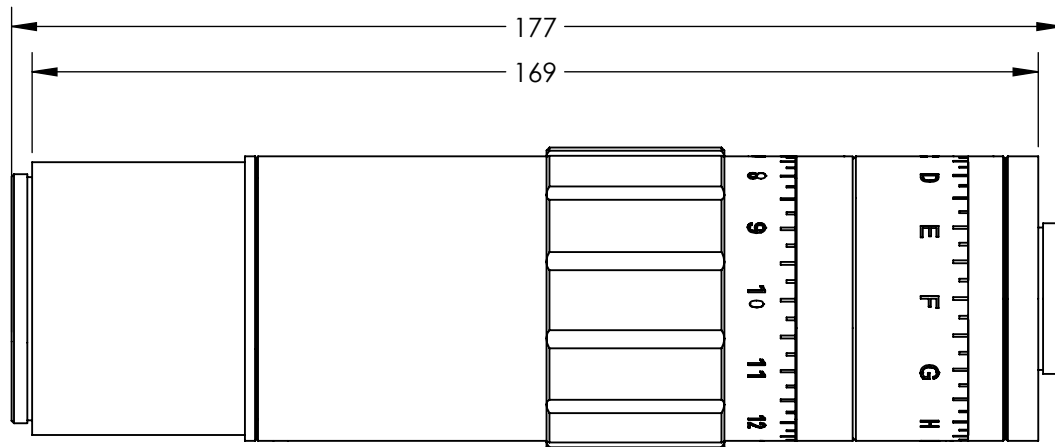
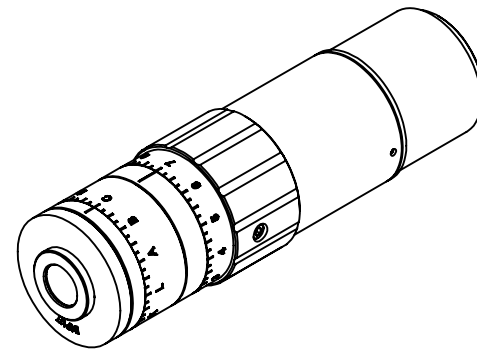


NOTES:

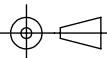
1. COATING (APPLY ACROSS CLEAR APERTURE)
VIS LASER
R(AVG) < 1.0% @ 425 - 700 nm
2. RoHS COMPLIANT



**FOR INFORMATION ONLY:
DO NOT MANUFACTURE
PARTS TO THIS DRAWING**

SPECIFICATIONS SUBJECT TO CHANGE WITHOUT NOTICE
DIMENSIONS ARE FOR REFERENCE ONLY



DESIGN WAVELENGTH DWL (nm)	633	THIRD ANGLE PROJECTION 	TITLE	BROADBAND VIS 2X - 8X VARIABLE BEAM EXPANDER	
TRANSMISSION	>95% @ DWL		ALL DIMS IN	DWG NO	87569
TRANSMITTED WAVEFRONT, P-V	<math><\lambda/4</math> @ 633nm FOR INPUT BEAM $\leq 4\text{MM}$ (2X-6X) <math><\lambda/4</math> @ 633nm FOR INPUT BEAM $\leq 2\text{MM}$ (>6X)	mm			