

NOTES:

1. SUBSTRATE MATERIAL:  
N-BK7

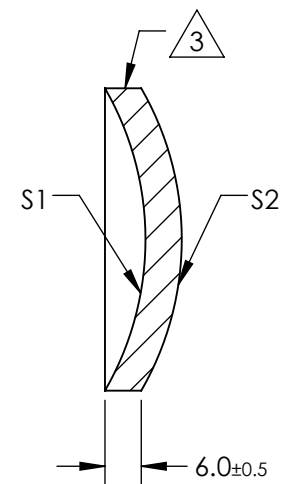
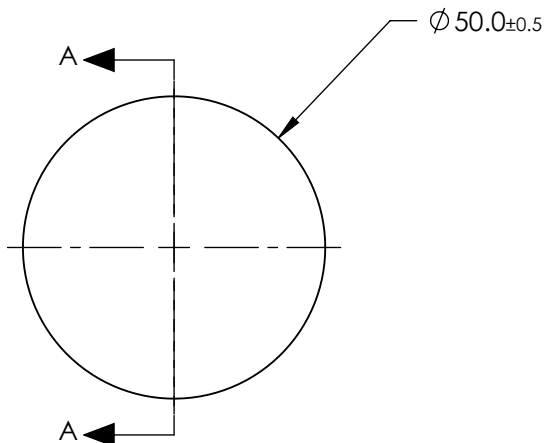
2. COATING (APPLY ACROSS CLEAR APERTURE)

S1: Protected Aluminum  
R(avg) >85% @ 400 - 700nm  
R(avg) >90% @ 400 - 2000nm

S2: NONE

 FINE GROUND SURFACE

4. RoHS COMPLIANT



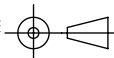
SECTION A-A

**FOR INFORMATION ONLY:  
DO NOT MANUFACTURE  
PARTS TO THIS DRAWING**

SPECIFICATIONS SUBJECT TO CHANGE WITHOUT NOTICE  
DIMENSIONS ARE FOR REFERENCE ONLY

REV. A	S1	S2
SHAPE	CONCAVE	CONVEX
RADIUS	50mm	50mm
APERTURE	f/0.5	N/A
EFFECTIVE FOCAL LENGTH	25mm	N/A
FOCAL LENGTH TOLERANCE	±2%	N/A
SURFACE QUALITY	80-50	N/A

THIRD ANGLE  
PROJECTION



ALL DIMS IN

mm

 **Edmund Optics®**

TITLE

50mm Dia. x 25mm FL Protected Aluminum,  
Concave Mirror

DWG NO

43469

SHEET  
1 OF 1