

NOTES:

1. SUBSTRATE MATERIAL:
FUSED SILICA
2. COATING (APPLY ACROSS CLEAR APERTURE)

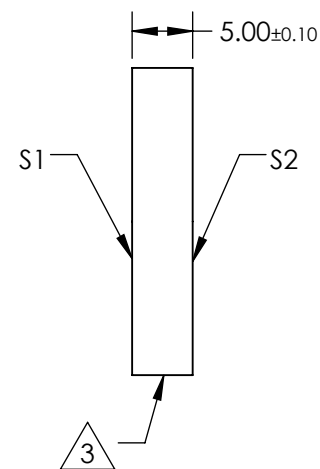
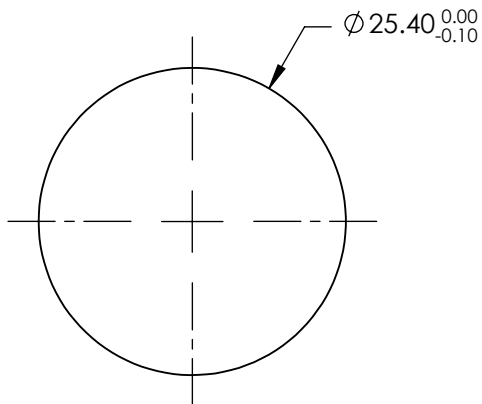
S1: Ultrafast Laser
R(AVG) >99% @ 1500 - 1600nm

S2: NONE

 FINE GROUND SURFACE

4. RoHS COMPLIANT

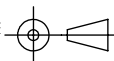
**FOR INFORMATION ONLY:
DO NOT MANUFACTURE
PARTS TO THIS DRAWING**



SPECIFICATIONS SUBJECT TO CHANGE WITHOUT NOTICE
DIMENSIONS ARE FOR REFERENCE ONLY

REV. A	S1	S2
SHAPE	PLANO	PLANO
CLEAR APERTURE (%)	Ø22.86	N/A
SURFACE QUALITY	20-10	COMMERCIAL POLISH
SURFACE FLATNESS	$\lambda/8$	N/A
BEVEL	PROTECTIVE AS NEEDED	PROTECTIVE AS NEEDED

THIRD ANGLE
PROJECTION



ALL DIMS IN

mm

 **Edmund Optics®**

TITLE

1500 - 1600nm, 25.4mm Dia., Ultrafast
Broadband Laser Mirror

DWG NO

84617

SHEET
1 OF 1