
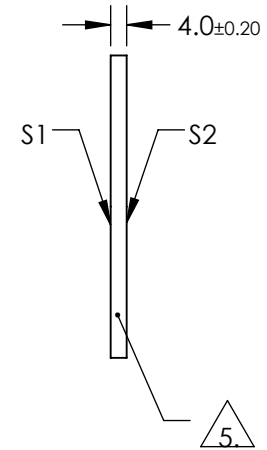
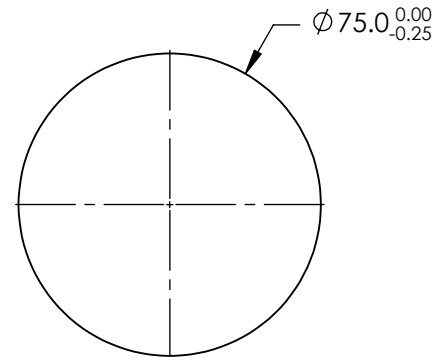
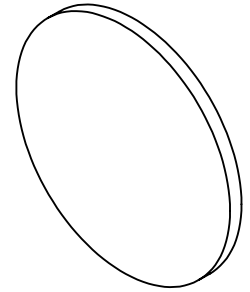


NOTES:

1. SUBSTRATE: N-BK7
2. RoHS: COMPLIANT
3. SURFACE S2 TO BE PARALLEL TO SURFACE S1 TO WITHIN 1.0 ARCMIN
4. COATING (APPLY ACROSS COATING APERTURE)
S1 & S2:
R(AVG) ≤ 0.5% FROM 600-1050nm @ 0° AOI
5.  FINE GRIND SURFACE
6. TRANSMITTED WAVEFRONT DISTORTION P-V
@632.8nm : 1/4 WAVE



**FOR INFORMATION ONLY:
DO NOT MANUFACTURE
PARTS TO THIS DRAWING**

SPECIFICATIONS SUBJECT TO CHANGE WITHOUT NOTICE
DIMENSIONS ARE FOR REFERENCE ONLY

 **Edmund Optics®**

	S1	S2
SHAPE	PLANO	PLANO
SURFACE QUALITY	60-40	60-40
CLEAR APERTURE	$\phi 67.5$	$\phi 67.5$
BEVEL	PROTECTIVE AS NEEDED	PROTECTIVE AS NEEDED



ALL DIMS IN

mm

TITLE

WINDOW 1/4 WAVE BK7 75mm DIA. x 4.0mm T
NIR I

DWG NO

37073

SHEET
1 OF 1