

NOTES:

1. SUBSTRATE MATERIAL:
Crystalline Quartz

2. COATING (APPLY ACROSS CLEAR APERTURE)

S1 & S2: R(avg) < 0.2% per surface
DAMAGE THRESHOLD, PULSED: > 10 J/cm² @ 10ns
WAVEFRONT DISTORTION (P-V): $\lambda/8$ @ 633nm

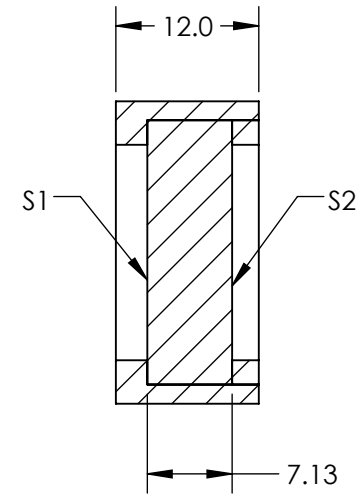
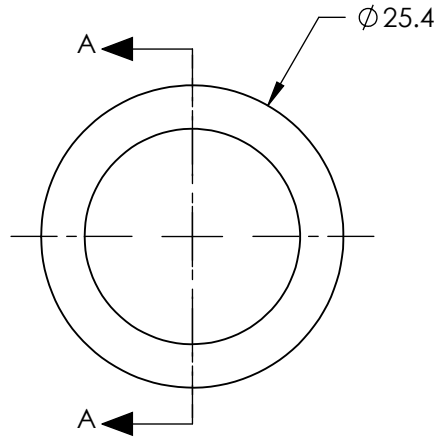
3. ROTATIONAL ACCURACY: < 5 arcmin
POLARIZATION ROTATION: 45° (clockwise)

4. PARALLELISM: < 10 arcsec

5. RETARDANCE: $\lambda/8$

6. RoHS COMPLIANT

**FOR INFORMATION ONLY:
DO NOT MANUFACTURE
PARTS TO THIS DRAWING**



SECTION A-A

SPECIFICATIONS SUBJECT TO CHANGE WITHOUT NOTICE
DIMENSIONS ARE FOR REFERENCE ONLY



REV. A	S1	S2				
SHAPE	PLANO	PLANO	THIRD ANGLE PROJECTION		TITLE	45° 1064nm Crystalline Quartz Polarization Rotator
CLEAR APERTURE	Ø18.00	Ø18.00	ALL DIMS IN	mm	DWG NO	34305
SURFACE QUALITY	20-10	20-10				SHEET 1 OF 1