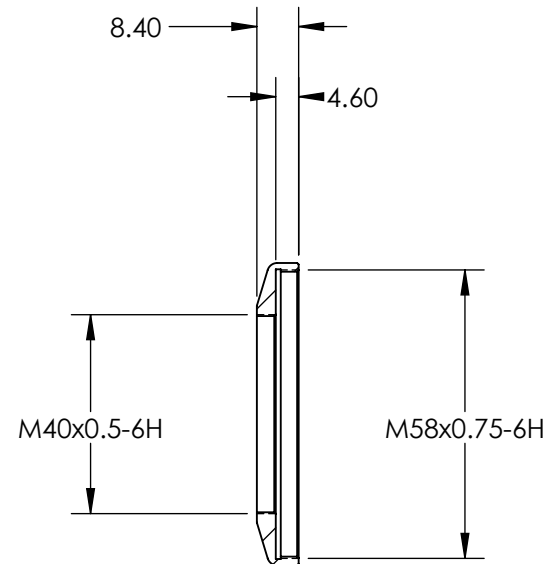
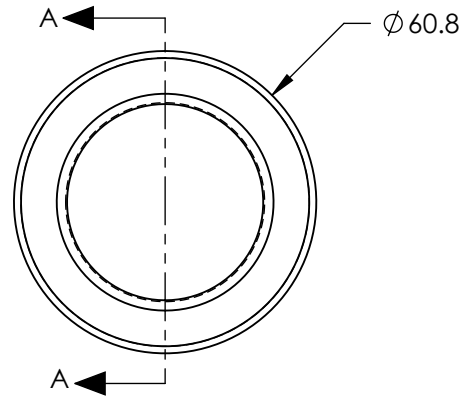
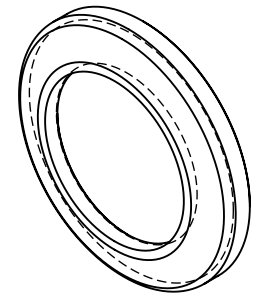


NOTES:

- 1. RoHS COMPLIANT

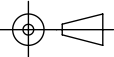


SECTION A-A

SPECIFICATIONS SUBJECT TO CHANGE WITHOUT NOTICE
DIMENSIONS ARE FOR REFERENCE ONLY

**FOR INFORMATION ONLY:
DO NOT MANUFACTURE
PARTS TO THIS DRAWING**

EO® Edmund Optics®

THIRD ANGLE PROJECTION 		TITLE	M58 x 0.75 FILTER THREAD ADAPTER FOR 4.5mm LENS	
ALL DIMS IN	mm	DWG NO	87425	SHEET 1 OF 1