

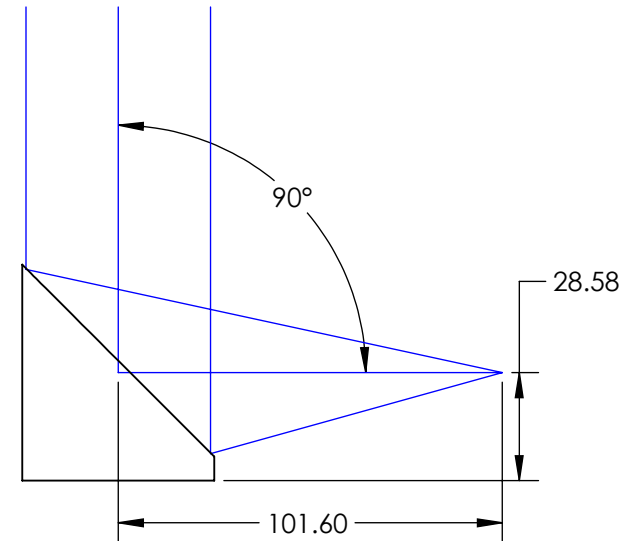
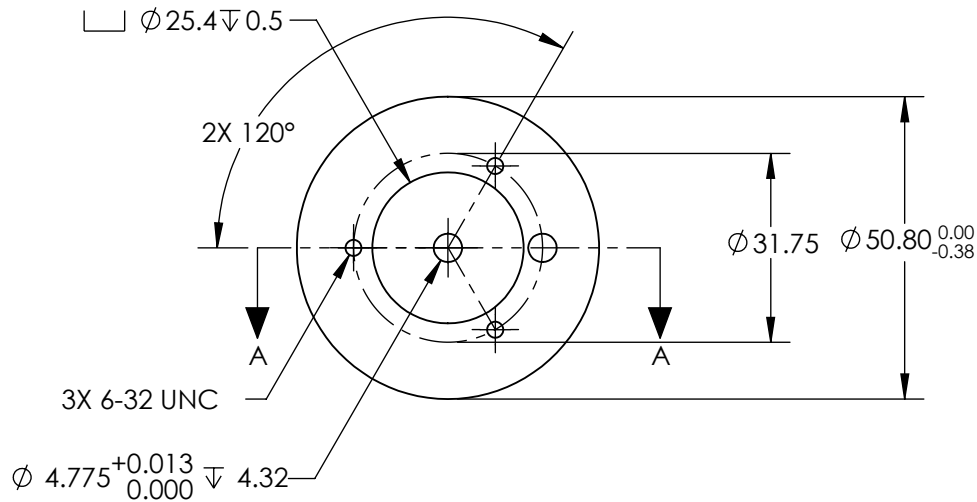
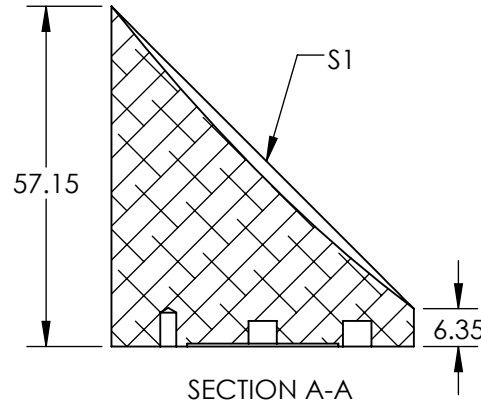
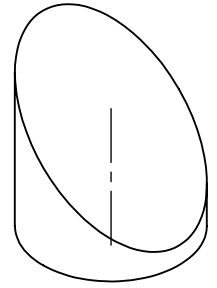
NOTES:

1. SUBSTRATE MATERIAL:
ALUMINIUM
2. FINISH (EXCEPT SURFACE S1):
BLACK ANODIZED
3. COATING (APPLY ACROSS CLEAR APERTURE)
S1: SILVER
SILVER WITH PROTECTIVE OVERCOAT
DURABILITY: ABRASION AND ADHESION AS PER
MIL-PRF-13830B APP B, PARA B.4.4.5 AND B.4.4.6


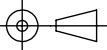
R(AVG) > 98% FROM 0.45-10.0 Microns @ 0° AOI
SILVER WITH PROTECTIVE OVERCOAT
R(AVG) > 98% @ 450 - 10000nm
0

SURFACE ROUGHNESS: <100 Å RMS
4. FOCAL LENGTH TOLERANCE: ±1%
5. ROHS COMPLIANT

**FOR INFORMATION ONLY:
DO NOT MANUFACTURE
PARTS TO THIS DRAWING**



SPECIFICATIONS SUBJECT TO CHANGE WITHOUT NOTICE
DIMENSIONS ARE FOR REFERENCE ONLY

REV. A	S1	EFL	101.60	 Edmund Optics®	
SHAPE	PARABOLIC	PFL	50.80		
REFLECTIVE WAVEFRONT DISTORTION AT 632.8nm (RMS)	1λ	THIRD ANGLE PROJECTION		TITLE	Ø50.8 X 101.6mm EFL 90° OAP PROTECTED SILVER MIRROR 100Å
SURFACE FIGURE AT 632.8nm (RMS)	λ/2	ALL DIMS IN	mm	DWG NO	
CLEAR APERTURE	90%				SHEET 1 OF 1
BEVEL	PROTECTIVE AS NEEDED				