

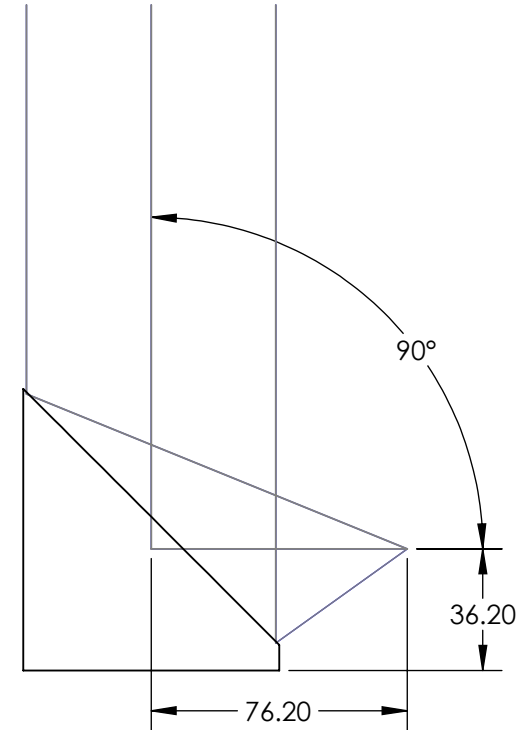
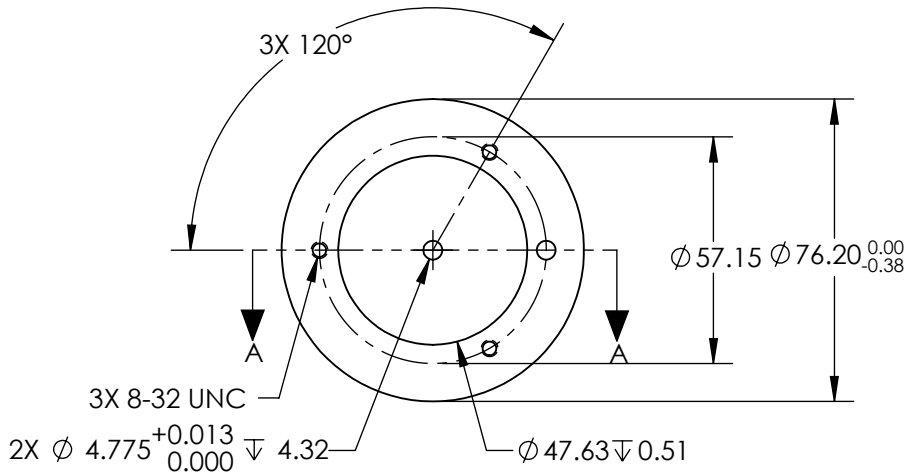
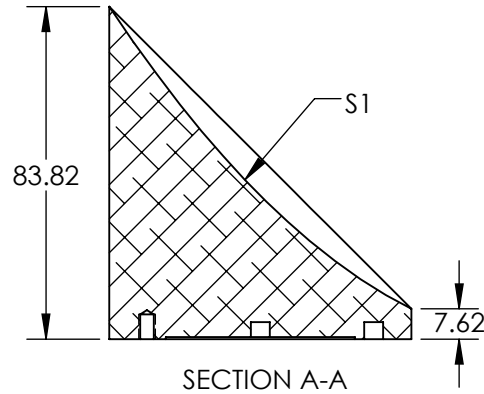
NOTES:

1. SUBSTRATE MATERIAL:  
ALUMINUM
2. FINISH (EXCEPT SURFACE S1):  
BLACK ANODIZED
3. COATING (APPLY ACROSS CLEAR APERTURE)  
S1: SILVER WITH PROTECTIVE OVERCOAT  
R(AVG) > 98% @ 450 - 10000nm

SURFACE ROUGHNESS: <math><100 \text{ \AA}</math> RMS

4. FOCAL LENGTH TOLERANCE:  $\pm 1\%$
5. ROHS COMPLIANT

FOR INFORMATION ONLY:  
DO NOT MANUFACTURE  
PARTS TO THIS DRAWING



SPECIFICATIONS SUBJECT TO CHANGE WITHOUT NOTICE  
DIMENSIONS ARE FOR REFERENCE ONLY

REV. A	S1	EFL	76.20		<b>Edmund Optics®</b>
SHAPE	PARABOLIC	PFL	38.10		
REFLECTIVE WAVEFRONT DISTORTION AT 632.8nm (RMS)	3/2λ	THIRD ANGLE PROJECTION		TITLE	Ø76.2 X 76.2mm EFL 90° OAP PROTECTED SILVER MIRROR 100Å
SURFACE FIGURE AT 632.8nm (RMS)	3/4λ				
CLEAR APERTURE	90%	ALL DIMS IN	mm	DWG NO	36601
BEVEL	PROTECTIVE AS NEEDED				SHEET 1 OF 1