

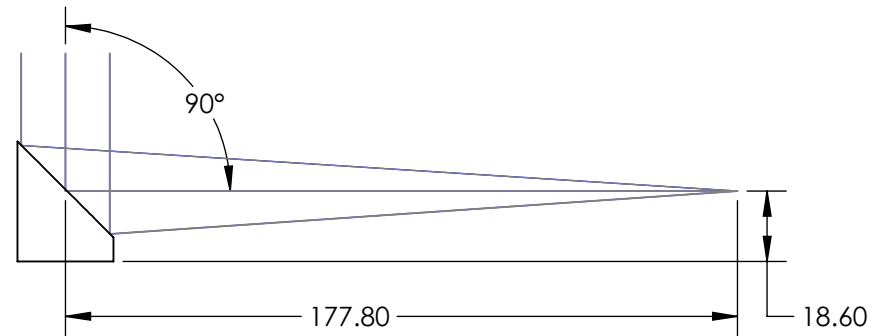
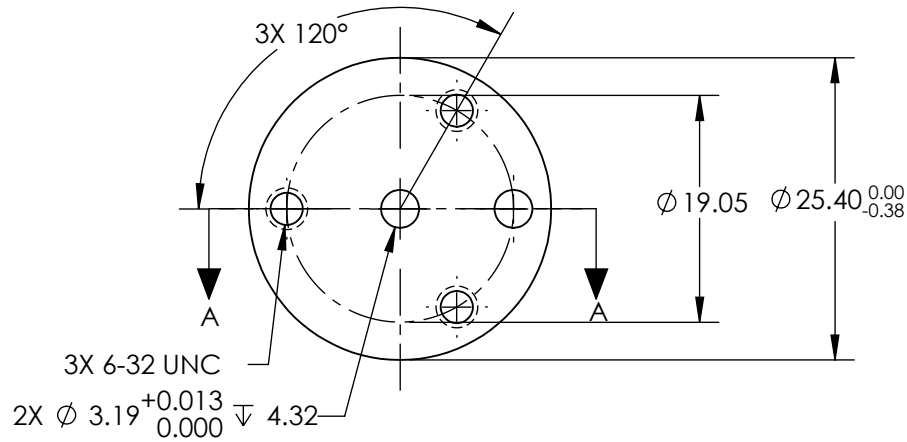
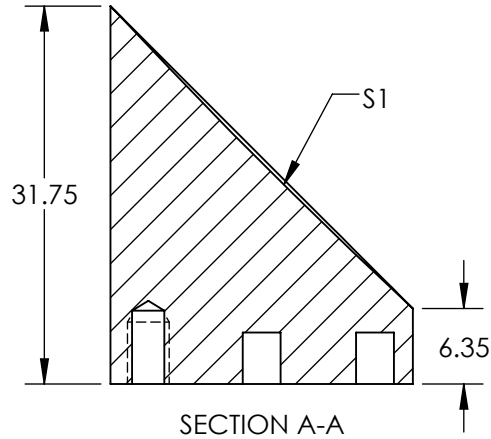
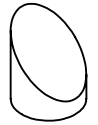
NOTES:

1. SUBSTRATE MATERIAL:
ALUMINUM
2. FINISH (EXCEPT SURFACE S1):
BLACK ANODIZED
3. COATING (APPLY ACROSS CLEAR APERTURE)
S1: SILVER WITH PROTECTIVE OVERCOAT
R(AVG) > 98% @ 450 - 10000nm

SURFACE ROUGHNESS: <100 Å RMS

4. FOCAL LENGTH TOLERANCE: ±1%
5. ROHS COMPLIANT

**FOR INFORMATION ONLY:
DO NOT MANUFACTURE
PARTS TO THIS DRAWING**



SPECIFICATIONS SUBJECT TO CHANGE WITHOUT NOTICE
DIMENSIONS ARE FOR REFERENCE ONLY

| | | | | | |
|--|----------------------|------------------------|--------|--------|--|
| REV. A | S1 | EFL | 177.80 | | |
| SHAPE | PARABOLIC | PFL | 88.90 | | |
| REFLECTIVE WAVEFRONT DISTORTION AT 632.8nm (RMS) | $\lambda/2$ | THIRD ANGLE PROJECTION | | TITLE | Ø25.4 X 177.8mm EFL 90° OAP PROTECTED SILVER MIRROR 100Å |
| SURFACE FIGURE AT 632.8nm (RMS) | $\lambda/4$ | ALL DIMS IN | mm | DWG NO | |
| CLEAR APERTURE | 90% | | | | SHEET 1 OF 1 |
| BEVEL | PROTECTIVE AS NEEDED | | | | |