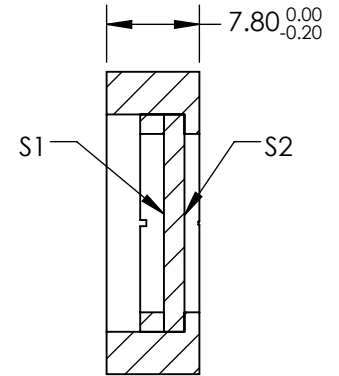
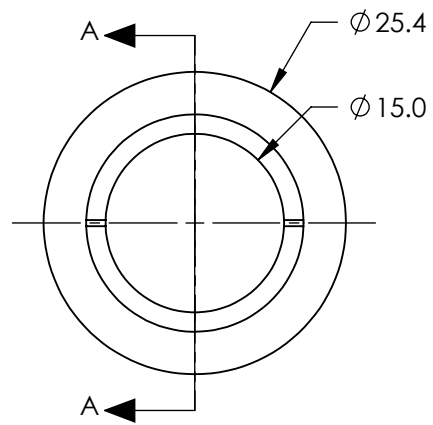
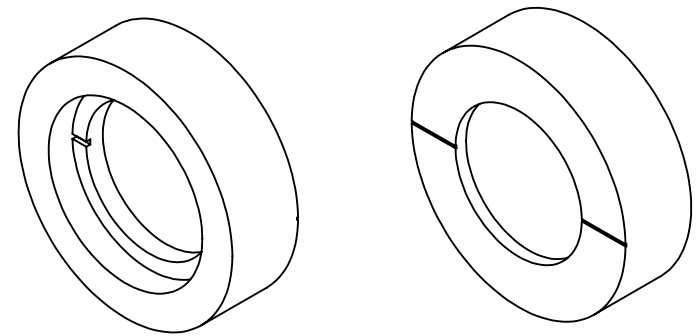


NOTES:

1. SUBSTRATE:  
CRYSTAL QUARTZ
2. COATING (APPLY ACROSS CLEAR APERTURE)  
S1 & S2: LASER V-COAT, R(ABS) <0.25% @ 302nm
3. SURFACE S1 TO BE PARALLEL TO SURFACE S2 TO WITHIN <1 arcsec
4. RETARDANCE:  $\lambda/4 \pm \lambda/300$
5. TRANSMITTED WAVEFRONT:  $\lambda/10$  FOR CENTRAL 80% OF CLEAR APERTURE
6. RoHS COMPLIANT



SECTION A-A

**FOR INFORMATION ONLY:  
DO NOT MANUFACTURE  
PARTS TO THIS DRAWING**

SPECIFICATIONS SUBJECT TO CHANGE WITHOUT NOTICE  
DIMENSIONS ARE FOR REFERENCE ONLY



	S1	S2
CLEAR APERTURE	Ø15.0	Ø15.0
SURFACE QUALITY	10-5	10-5

THIRD ANGLE PROJECTION	TITLE	Ø25.4mm, 302nm, $\lambda/4$ QUARTZ WAVEPLATE ZERO ORDER		
	ALL DIMS IN	mm	DWG NO	35133
			SHEET	1 OF 1