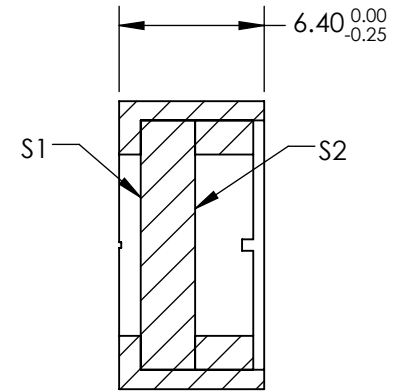
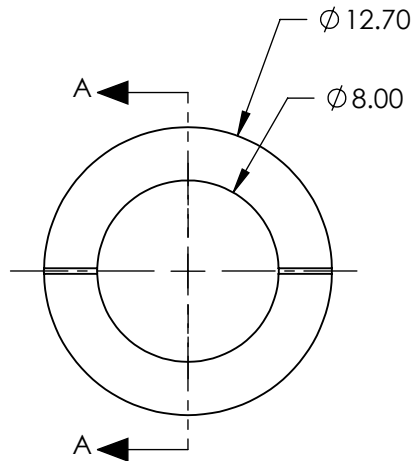
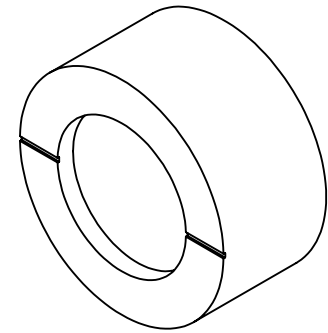
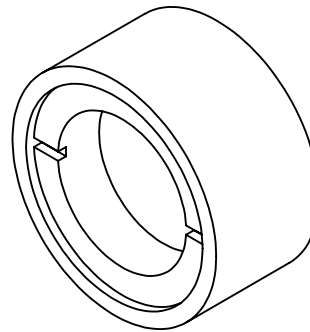


NOTES:

1. SUBSTRATE:
CRYSTAL QUARTZ
2. COATING (APPLY ACROSS CLEAR APERTURE)
S1 & S2: R(abs) <0.25% @ 266nm
DAMAGE THRESHOLD: 3.5 J/cm² @10ns @ 1064nm
3. SURFACE S1 TO BE PARALLEL TO SURFACE S2 TO WITHIN <0.5 arcsec
4. RETARDANCE: $\lambda/4 \pm \lambda/200$
5. TRANSMITTED WAVEFRONT: $\lambda/10$
6. RoHS COMPLIANT



SECTION A-A

**FOR INFORMATION ONLY:
DO NOT MANUFACTURE
PARTS TO THIS DRAWING**

SPECIFICATIONS SUBJECT TO CHANGE WITHOUT NOTICE
DIMENSIONS ARE FOR REFERENCE ONLY

EO® Edmund Optics®

| | | | | | | | |
|-----------------|------|------|------------------------|----|--------|--|-----------------|
| | S1 | S2 | THIRD ANGLE PROJECTION | | TITLE | 12.7mm DIA. 266nm $\lambda/4$ QUARTZ WAVEPLATE ZERO ORDER | |
| CLEAR APERTURE | Ø8.0 | Ø8.0 | ALL DIMS IN | mm | DWG NO | 85017 | SHEET 1 OF 1 |
| SURFACE QUALITY | 10-5 | 10-5 | | | | | |