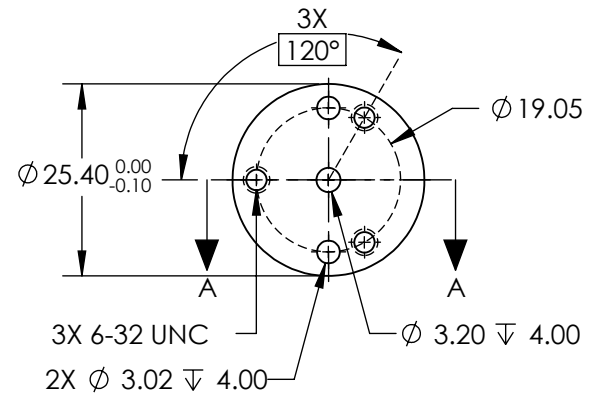
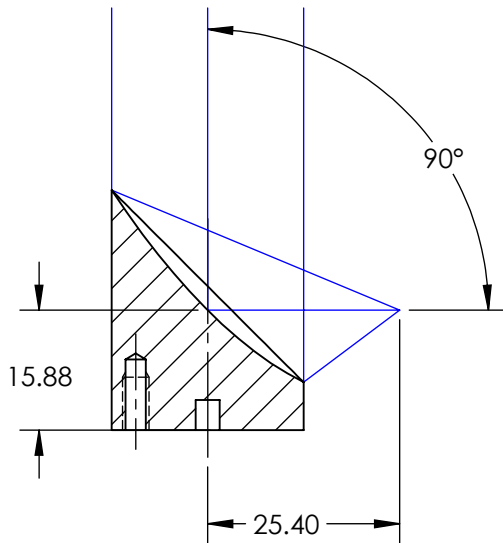
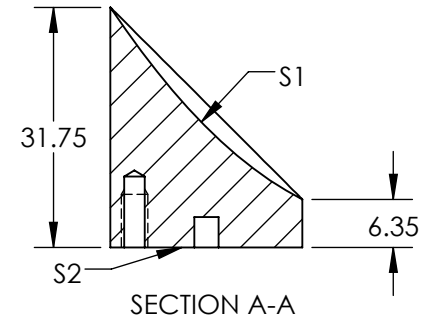
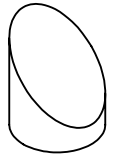


NOTES:

1. SUBSTRATE MATERIAL:
ALUMINUM
2. FINISH (EXCEPT SURFACE S1 & S2):
BLACK ANODIZED
3. COATING (APPLY ACROSS CLEAR APERTURE)
S1: UV ENHANCED ALUMINUM
R(AVG) >89% FROM 250 - 450nm
R(AVG) >85% FROM 250 - 700nm
- SURFACE ROUGHNESS: <50 Å RMS
4. FOCAL LENGTH TOLERANCE: ±1%
5. ROHS COMPLIANT

FOR INFORMATION ONLY:
DO NOT MANUFACTURE
PARTS TO THIS DRAWING



SPECIFICATIONS SUBJECT TO CHANGE WITHOUT NOTICE
DIMENSIONS ARE FOR REFERENCE ONLY

REV. A	S1
SURFACE FIGURE AT 632.8nm (RMS)	$\lambda/8$
CLEAR APERTURE	90%
SHAPE	PARABOLIC
BEVEL	PROTECTIVE AS NEEDED



ALL DIMS IN

mm

EO® **Edmund Optics**®

TITLE

Ø25.4 X 25.4mm EFL, UV ENHANCED ALUMINUM 50Å OFF-AXIS PARABOLIC MIRROR

DWG NO

37232

SHEET
1 OF 1