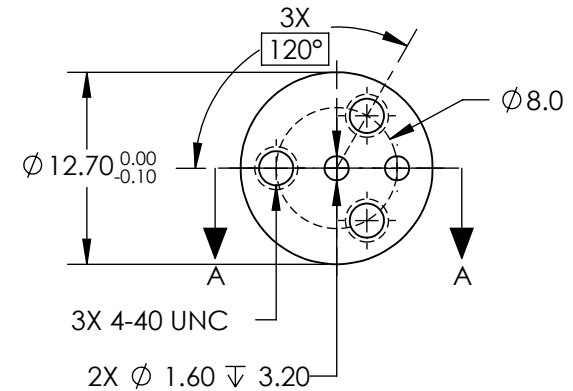
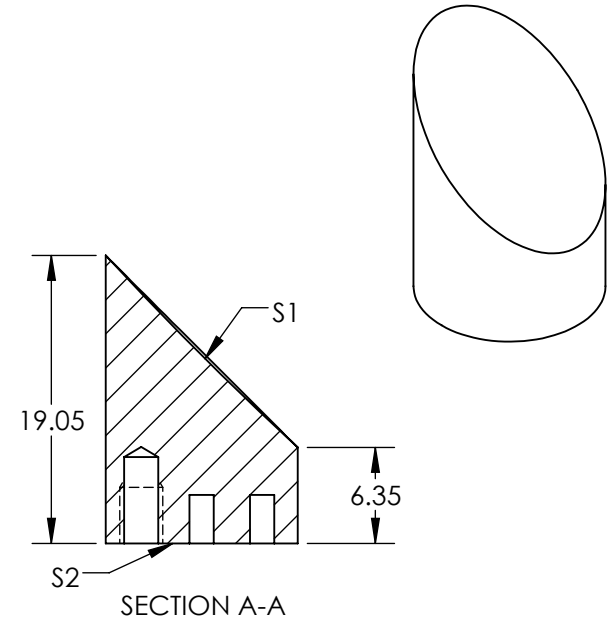
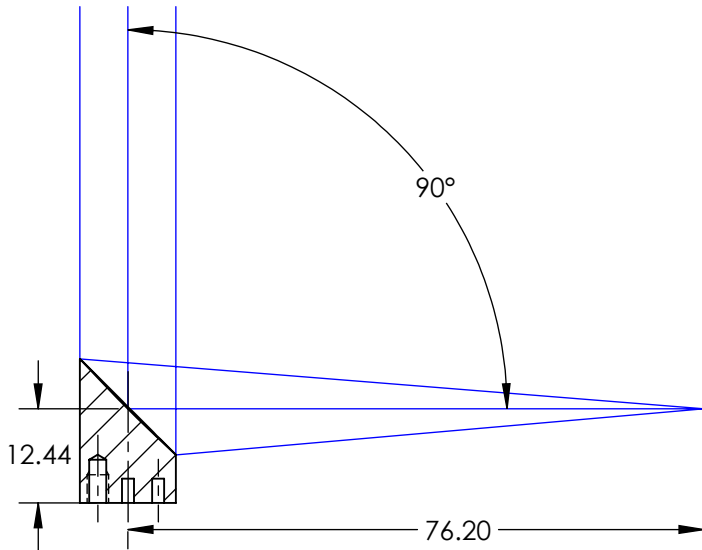


NOTES:

1. SUBSTRATE MATERIAL:  
ALUMINUM
  2. FINISH (EXCEPT SURFACE S1 & S2):  
BLACK ANODIZED
  3. COATING (APPLY ACROSS CLEAR APERTURE)  
S1: PROTECTED GOLD  
R(AVG) >96% FROM 700 - 2000nm  
R(AVG) >96% FROM 2000 - 10000nm
- SURFACE ROUGHNESS: <50 Å RMS
4. FOCAL LENGTH TOLERANCE: ±1%
  5. ROHS COMPLIANT

**FOR INFORMATION ONLY:  
DO NOT MANUFACTURE  
PARTS TO THIS DRAWING**



SPECIFICATIONS SUBJECT TO CHANGE WITHOUT NOTICE  
DIMENSIONS ARE FOR REFERENCE ONLY

REV. A	S1
SHAPE	PARABOLIC
SURFACE FIGURE AT 632.8nm (RMS)	$\lambda/8$
CLEAR APERTURE	90%
BEVEL	PROTECTIVE AS NEEDED



ALL DIMS IN mm

**EO**® **Edmund Optics**®

TITLE

Ø12.7 X 76.2mm EFL, PROTECTED GOLD 50Å  
OFF-AXIS PARABOLIC MIRROR

DWG NO

37273

SHEET  
1 OF 1