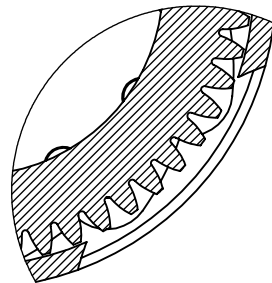
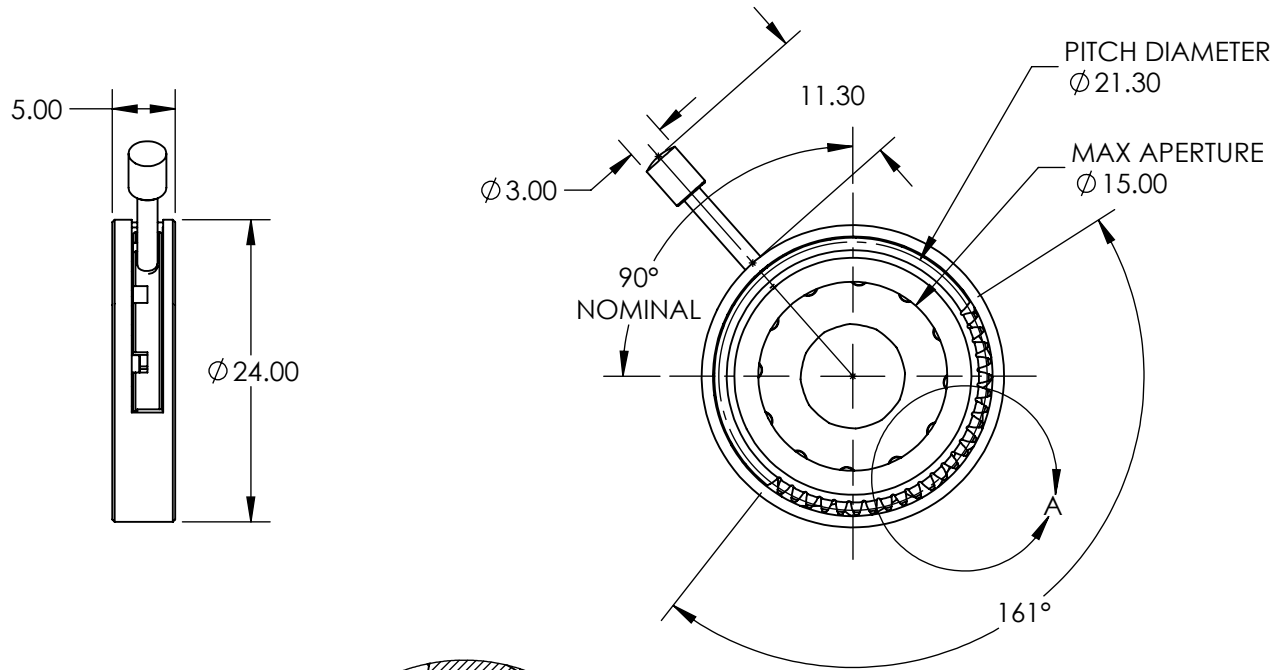
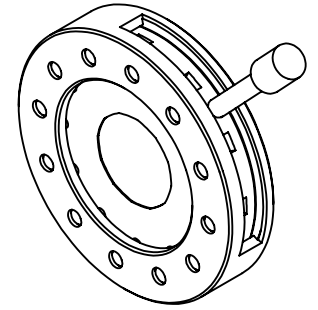


NOTES:

1. REMOVABLE LEVER: M1.7 x 0.35 THREAD
2. MATERIALS  
 HOUSING: BRASS (BLACK)  
 LEAVES: BLACK SPRING STEEL  
 LEVER: STEEL

**FOR INFORMATION ONLY:  
DO NOT MANUFACTURE  
PARTS TO THIS DRAWING**



DETAIL A

SPECIFICATIONS SUBJECT TO CHANGE WITHOUT NOTICE  
DIMENSIONS ARE FOR REFERENCE ONLY

**EO**® **Edmund Optics**®

REV. A	VALUE	THIRD ANGLE PROJECTION	TITLE	15mm MAX APERTURE MOTORIZABLE IRIS	
MIN APERTURE	Ø1.20		DWG NO	34289	SHEET 1 OF 1
GEAR WHEEL MODULE	0.4		ALL DIMS IN	mm	