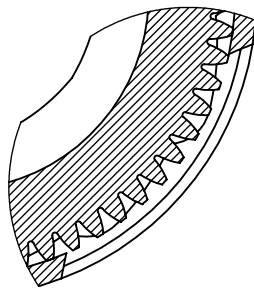
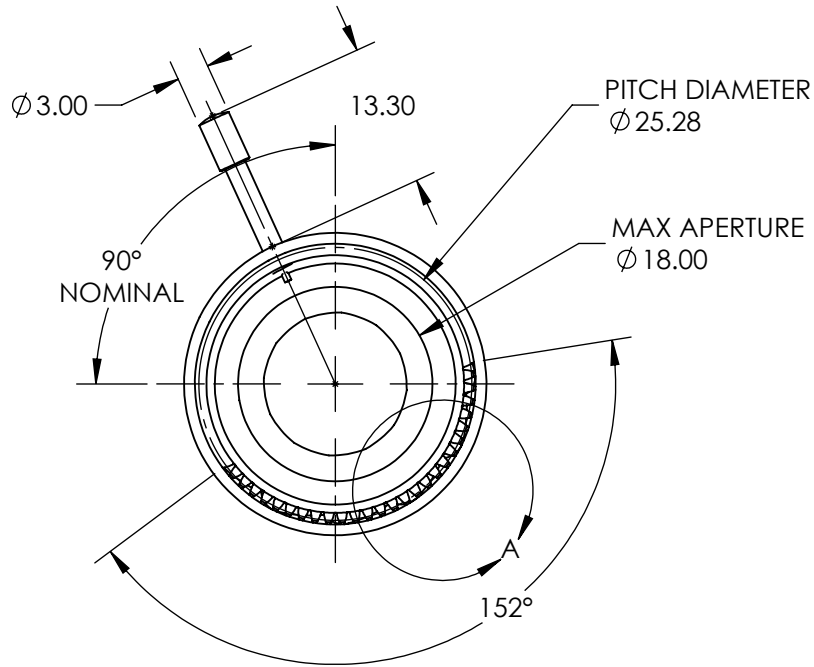
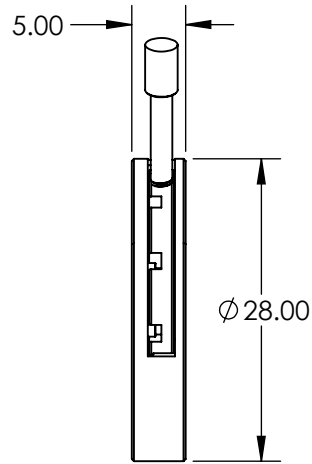
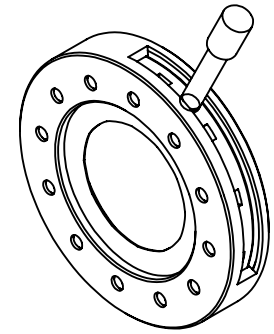


NOTES:

1. REMOVABLE LEVER: M1.7 x 0.35 THREAD
2. MATERIALS
 HOUSING: BRASS (BLACK)
 LEAVES: BLACK SPRING STEEL
 LEVER: STEEL

**FOR INFORMATION ONLY:
DO NOT MANUFACTURE
PARTS TO THIS DRAWING**



DETAIL A

SPECIFICATIONS SUBJECT TO CHANGE WITHOUT NOTICE
DIMENSIONS ARE FOR REFERENCE ONLY

EO® Edmund Optics®

REV. A	VALUE
MIN APERTURE	Ø1.20
GEAR WHEEL MODULE	0.4

THIRD ANGLE PROJECTION		TITLE	18mm MAX APERTURE MOTORIZABLE IRIS	
ALL DIMS IN	mm	DWG NO	34290	SHEET 1 OF 1