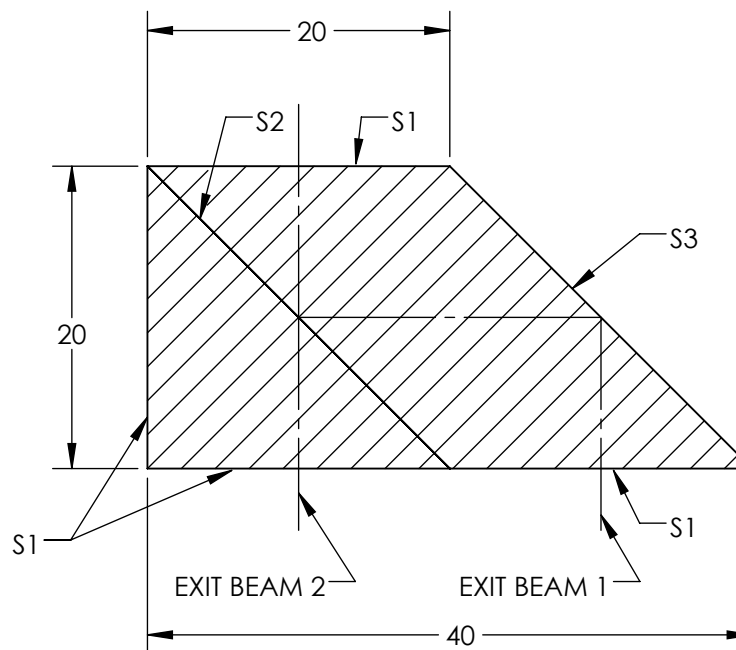
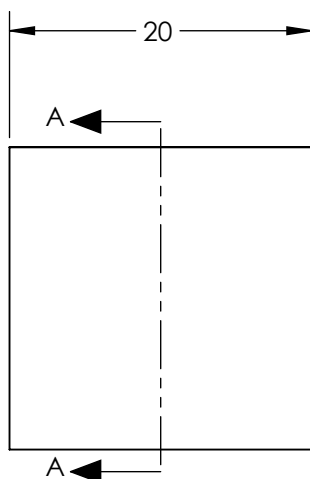
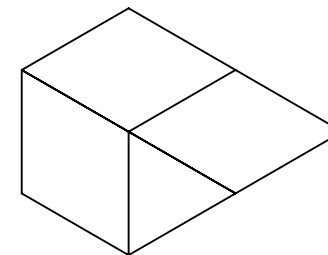


NOTES:

1. EXIT BEAMS 1 & 2 PARALLEL AFTER BONDING TO <30 arcsec
3. COATING (APPLY ACROSS CLEAR APERTURE)
 - S1: R(abs) <0.25% @ 632.8nm
 - S2: EXTINCTION RATIO: $T_p/T_s > 1000:1$ @ 632.8nm
 - TRANSMITTANCE: $T_p > 95\%$ @ 632.8nm
 - REFLECTION EFFICIENCY: $T_s > 99\%$ @ 632.8nm
 - S3: NONE
4. RoHS COMPLIANT



SECTION A-A

**FOR INFORMATION ONLY:
DO NOT MANUFACTURE
PARTS TO THIS DRAWING**

SPECIFICATIONS SUBJECT TO CHANGE WITHOUT NOTICE
DIMENSIONS ARE FOR REFERENCE ONLY



REV. A	S1	S2	THIRD ANGLE PROJECTION		TITLE	20mm x 632.8mm, LATERAL DISPLACEMENT POLARIZING BEAMSPLITTER	
SURFACE QUALITY	40-20	40-20	ALL DIMS IN	mm	DWG NO	47191	SHEET 1 OF 1
SURFACE FLATNESS	$\lambda/8$	$\lambda/8$					