

NOTES:

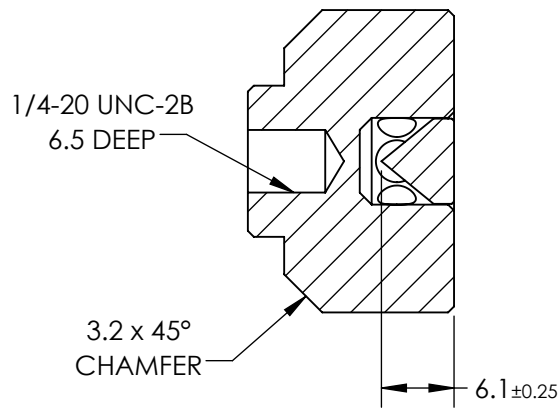
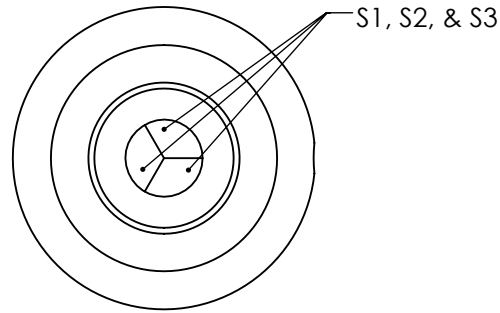
1. SUBSTRATE MATERIAL:
N-BK7

2. COATING:

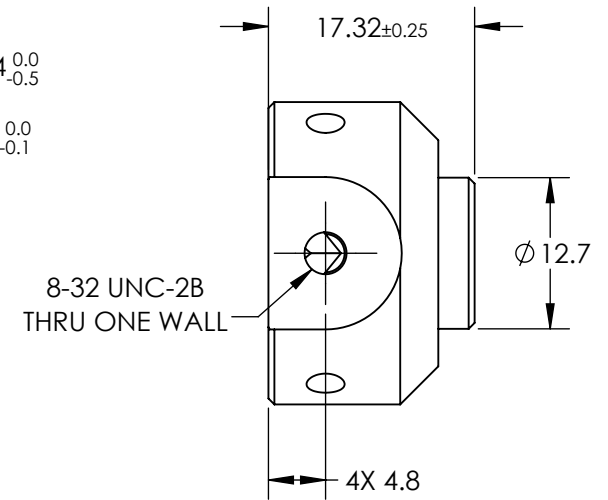
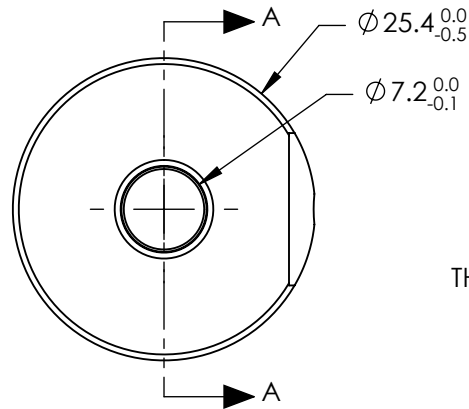
S1, S2, & S3: PROTECTED SILVER
R(avg) >98% @ 500 - 800nm
R(avg) >98% @ 2 - 10µm W/BLACK OVERPAINT

3. RAY DEVIATION: 180°

4. RoHS COMPLIANT



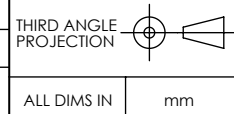
SECTION A-A



**FOR INFORMATION ONLY:
DO NOT MANUFACTURE
PARTS TO THIS DRAWING**

SPECIFICATIONS SUBJECT TO CHANGE WITHOUT NOTICE
DIMENSIONS ARE FOR REFERENCE ONLY

REV. A	S1	S2	S3
SHAPE	PLANO	PLANO	PLANO
SURFACE QUALITY	60-40	60-40	60-40
WAVELENGTH RANGE (nm)	500 - 10000	500 - 10000	500 - 10000
BEVEL	PROTECTED AS NEEDED	PROTECTED AS NEEDED	PROTECTED AS NEEDED



EO® Edmund Optics®

TITLE: PRISM CORNER CUBE 7.16mm SILVER MTD

DWG NO: 49079

SHEET 1 OF 1