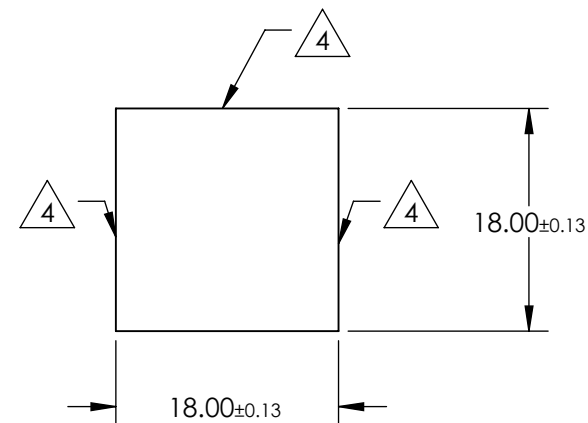
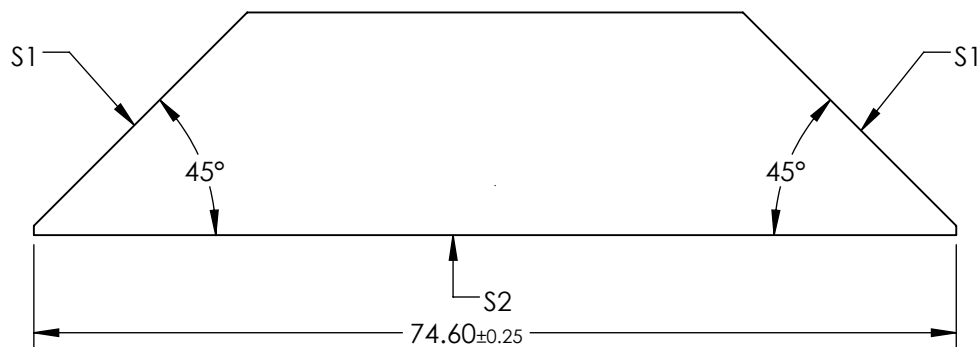


NOTES:

1. SUBSTRATE MATERIAL: N-BK7
2. ROHS COMPLIANT
3. COATING (APPLY ACROSS CLEAR APERTURE)
 - S1: VIS 0°
 - R(avg) $\leq 0.4\%$ @ 425 - 675nm
 - DENSITY LIMIT : 5 J/cm² @ 532nm, 10ns
 - S2: UNCOATED

 FINE GROUND SURFACE

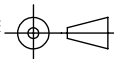
FOR INFORMATION ONLY:
DO NOT MANUFACTURE
PARTS TO THIS DRAWING



SPECIFICATIONS SUBJECT TO CHANGE WITHOUT NOTICE
DIMENSIONS ARE FOR REFERENCE ONLY

REV. A	S1	S2
SHAPE	PLANO	PLANO
ANGLE TOL. (arcmin)	2	2
SURFACE QUALITY	60-40	60-40
SURFACE FLATNESS	$\lambda/4$	$\lambda/4$
WAVELENGTH RANGE (nm)	425 - 675	425 - 675
BEVEL	PROTECTIVE AS NEEDED	PROTECTIVE AS NEEDED

THIRD ANGLE
PROJECTION



ALL DIMS IN

mm

 **Edmund Optics®**

TITLE

18mm VIS 0° COATED DOVE PRISM

DWG NO

49427

SHEET
1 OF 1