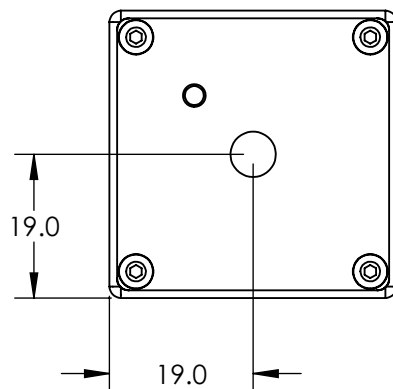
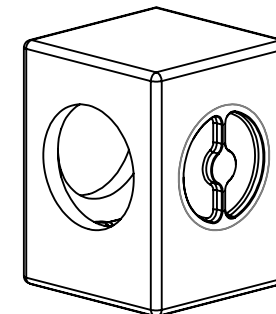
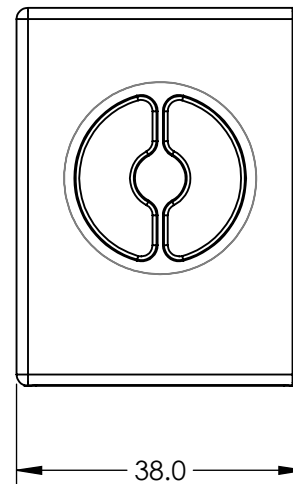
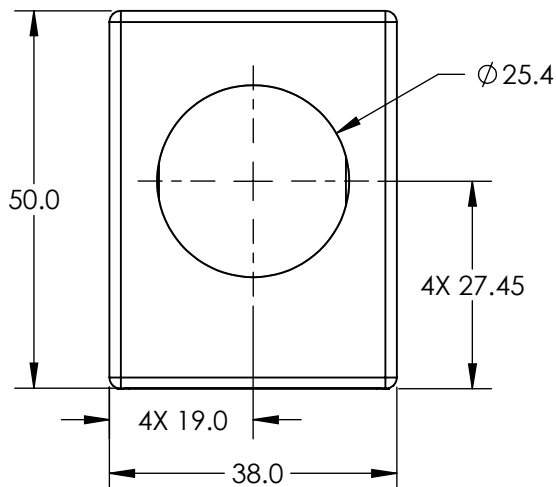


NOTES:

1. SUBSTRATE:
Float Glass
2. COATING:
S1: ENHANCED ALUMINUM
R(AVG) > 95% @ 450 - 650nm
S2: NONE
3. EDGES FINE GROUND
4. THREAD TYPE: C-Mount (1" x 32 TPI)
5. RoHS COMPLIANT

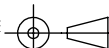


**FOR INFORMATION ONLY:
DO NOT MANUFACTURE
PARTS TO THIS DRAWING**

SPECIFICATIONS SUBJECT TO CHANGE WITHOUT NOTICE
DIMENSIONS ARE FOR REFERENCE ONLY

	S1	S2
SHAPE	PLANO	PLANO
SURFACE FLATNESS	4 - 6λ	4 - 6λ
SURFACE QUALITY	60-40	60-40
WAVELENGTH RANGE (nm)	400 - 700	N/A
BEVEL	PROTECTIVE AS NEEDED	PROTECTIVE AS NEEDED

THIRD ANGLE
PROJECTION



ALL DIMS IN

mm

EO® Edmund Optics®

TITLE

Protected Aluminum Coated, C-Mounted
First Surface Mirror

DWG NO

54825

SHEET
1 OF 1