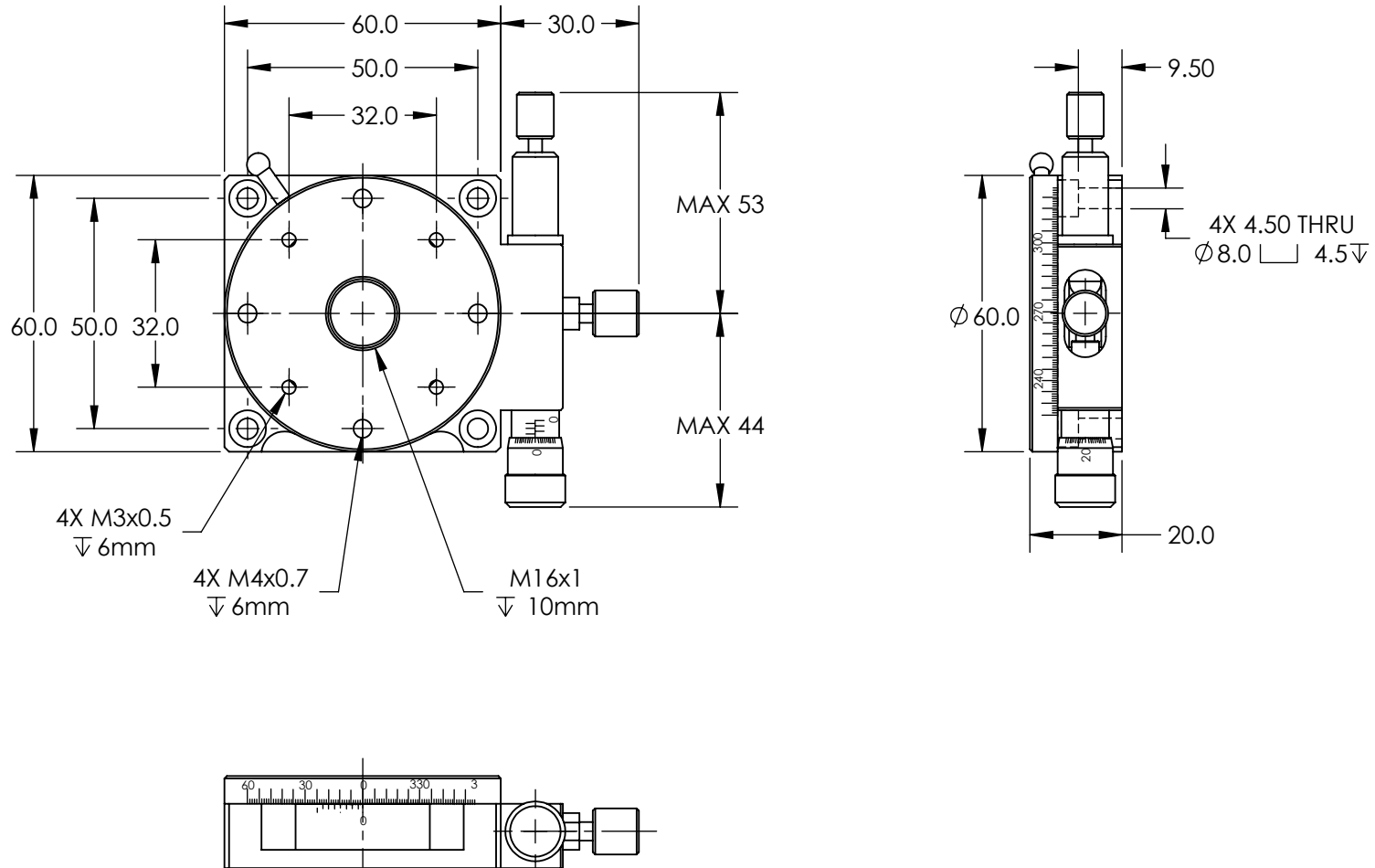


NOTES:

1. TRAVEL: COARSE ROTATION 360° / FINE ROTATION ± 5°
2. INCLUDES ONE PACKAGE OF (4) M4x1.4mm LONG, FLAT POINT SET SCREWS FOR LOCKING



SPECIFICATIONS SUBJECT TO CHANGE WITHOUT NOTICE  
DIMENSIONS ARE FOR REFERENCE ONLY

**FOR INFORMATION ONLY:  
DO NOT MANUFACTURE  
PARTS TO THIS DRAWING**

**EO**® Edmund Optics®

THIRD ANGLE PROJECTION		TITLE	ROTARY STAGE METRIC 60MM DIA WITH MICROMETER	
ALL DIMS IN	mm	DWG NO	55029	SHEET 1 OF 1