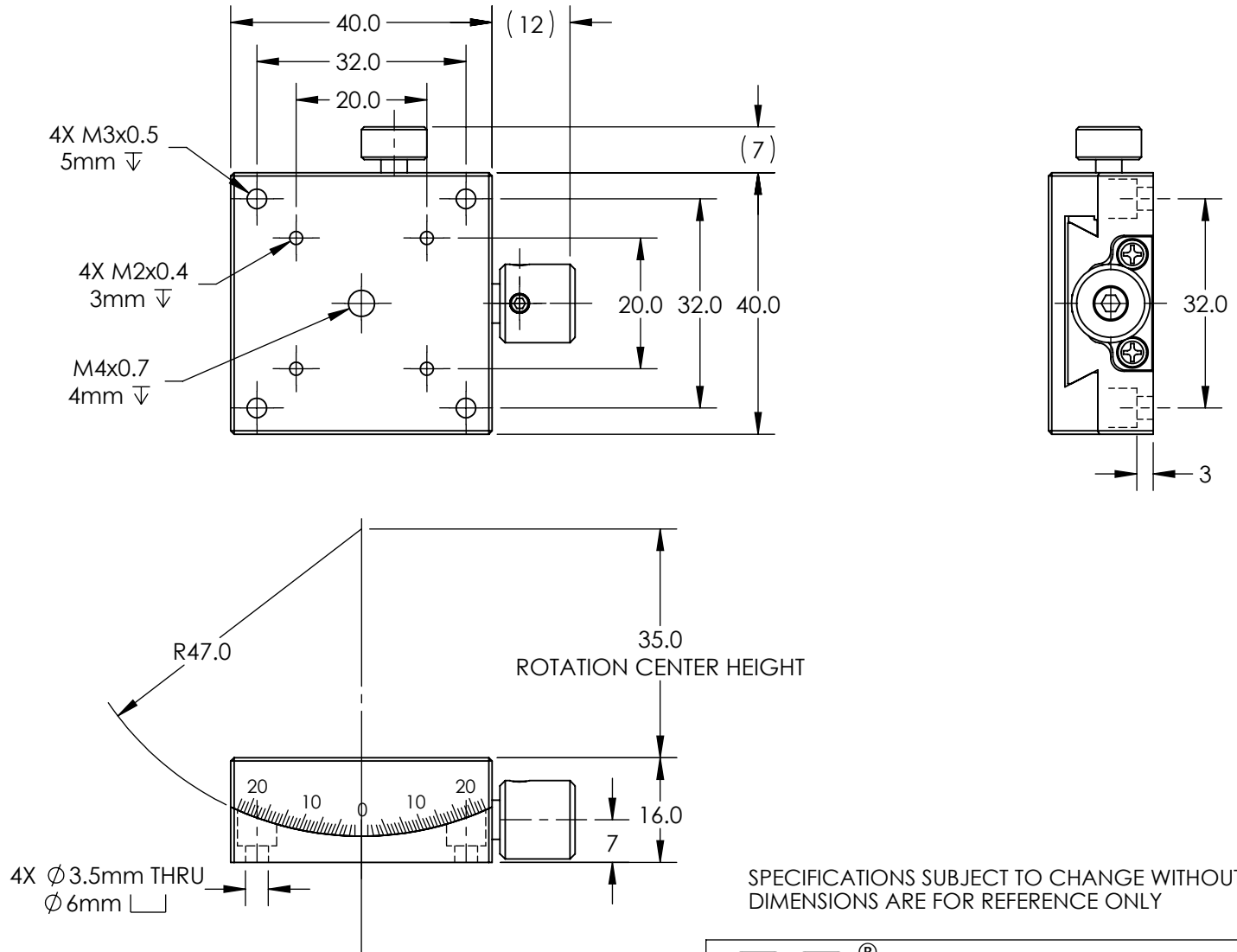


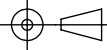
NOTES:

1. TRAVEL:  $\pm 20^\circ$
2. INCLUDES ONE PACKAGE OF (4) M3x6mm LONG, FLAT POINT SET SCREWS FOR LOCKING



**FOR INFORMATION ONLY:  
DO NOT MANUFACTURE  
PARTS TO THIS DRAWING**

10

THIRD ANGLE PROJECTION 		TITLE		40MM GONIOMETER 40 DEGREE	
ALL DIMS IN	mm	DWG NO	55838	SHEET	1 OF 1

**EO**® Edmund Optics®