

NOTES:

1. SUBSTRATE MATERIAL:
FUSED SILICA

2. COATING (APPLY ACROSS CLEAR APERTURE)

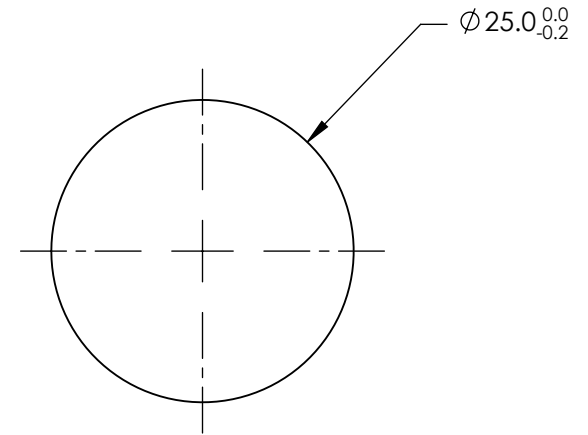
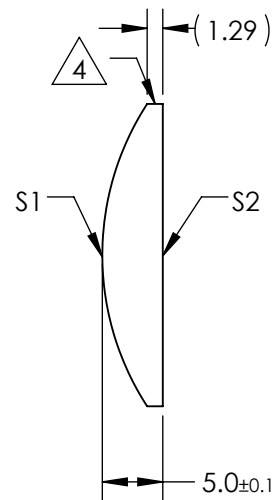
S1 & S2: NONE

3. WEDGE TOLERANCE: <15 arcmin

4. FINE GROUND SURFACE

5. POWER, IRREGULARITY, AND SURFACE QUALITY SPECIFICATIONS APPLY ACROSS CLEAR APERTURE

6. RoHS COMPLIANT



**FOR INFORMATION ONLY:
DO NOT MANUFACTURE
PARTS TO THIS DRAWING**

SPECIFICATIONS SUBJECT TO CHANGE WITHOUT NOTICE
DIMENSIONS ARE FOR REFERENCE ONLY

REV. A	S1	S2	EFL	50		25mm DIAMETER X 50mm FL UNCOATED, UV PCX CYLINDER LENS	
SHAPE	CONVEX	PLANO	BFL	46.58			
RADIUS	22.93	∞	THIRD ANGLE PROJECTION		TITLE		
SURFACE QUALITY	40-20	40-20	ALL DIMS IN	mm	DWG NO		
CLEAR APERTURE	Ø24.00	Ø24.00					SHEET 1 OF 1
COATING APERTURE	Ø24.00	Ø24.00					
BEVEL	PROTECTED AS NEEDED	PROTECTED AS NEEDED					