

NOTES:

1. SUBSTRATE MATERIAL:
FUSED SILICA

2. COATING (APPLY ACROSS CLEAR APERTURE)

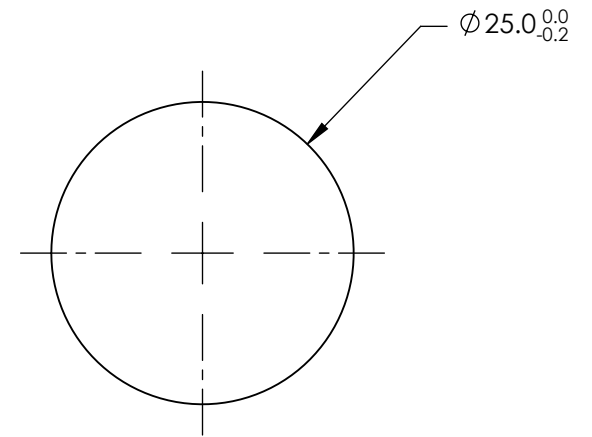
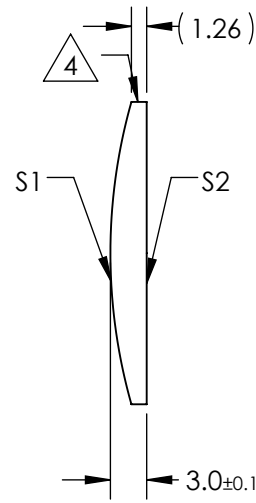
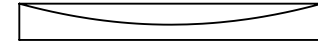
S1 & S2: NONE

3. WEDGE TOLERANCE: <15 arcmin

4. FINE GROUND SURFACE


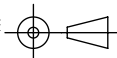
5. POWER, IRREGULARITY, AND SURFACE QUALITY SPECIFICATIONS APPLY ACROSS CLEAR APERTURE

6. RoHS COMPLIANT



**FOR INFORMATION ONLY:
DO NOT MANUFACTURE
PARTS TO THIS DRAWING**

SPECIFICATIONS SUBJECT TO CHANGE WITHOUT NOTICE
DIMENSIONS ARE FOR REFERENCE ONLY

REV. A	S1	S2	EFL	100	 Edmund Optics®		
SHAPE	CONVEX	PLANO	BFL	97.94			
RADIUS	45.85	∞	THIRD ANGLE PROJECTION 		TITLE	25mm DIAMETER X 100mm FL UNCOATED, UV PCX CYLINDER LENS	
SURFACE QUALITY	40-20	40-20	ALL DIMS IN	mm	DWG NO	68174	SHEET 1 OF 1
CLEAR APERTURE	Ø24.00	Ø24.00					
COATING APERTURE	Ø24.00	Ø24.00					
BEVEL	PROTECTED AS NEEDED	PROTECTED AS NEEDED					