

NOTES:

1. SUBSTRATE MATERIAL:
FUSED SILICA

2. COATING (APPLY ACROSS CLEAR APERTURE)

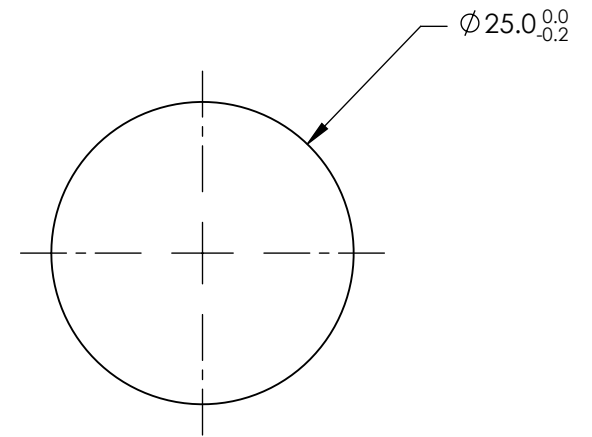
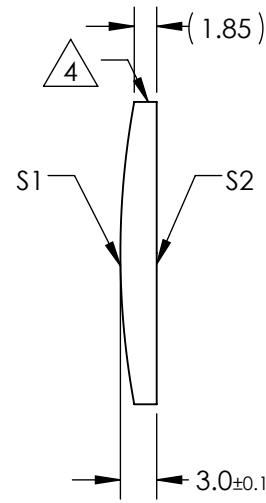
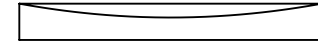
S1 & S2: NONE

3. WEDGE TOLERANCE: <15 arcmin

4. FINE GROUND SURFACE

5. POWER, IRREGULARITY, AND SURFACE QUALITY SPECIFICATIONS APPLY ACROSS CLEAR APERTURE

6. RoHS COMPLIANT



**FOR INFORMATION ONLY:
DO NOT MANUFACTURE
PARTS TO THIS DRAWING**

SPECIFICATIONS SUBJECT TO CHANGE WITHOUT NOTICE
DIMENSIONS ARE FOR REFERENCE ONLY

REV. A	S1	S2			Edmund Optics®			
SHAPE	CONVEX	PLANO	EFL	150	THIRD ANGLE PROJECTION	TITLE	25mm DIAMETER X 150mm FL UNCOATED, UV PCX CYLINDER LENS	
RADIUS	68.77	∞	BFL	147.94				
SURFACE QUALITY	40-20	40-20			ALL DIMS IN	mm	DWG NO	68175
CLEAR APERTURE	∅24.00	∅24.00						
COATING APERTURE	∅24.00	∅24.00					SHEET 1 OF 1	
BEVEL	PROTECTED AS NEEDED	PROTECTED AS NEEDED						