

NOTES:

1. SUBSTRATE MATERIAL:
FUSED SILICA

2. COATING (APPLY ACROSS CLEAR APERTURE)

S1 & S2: UV-AR

R(abs) ≤1.0% @ 250 - 425nm

R(avg) ≤0.75% @ 250 - 425 nm

R(avg) ≤0.5% @ 370 - 420nm

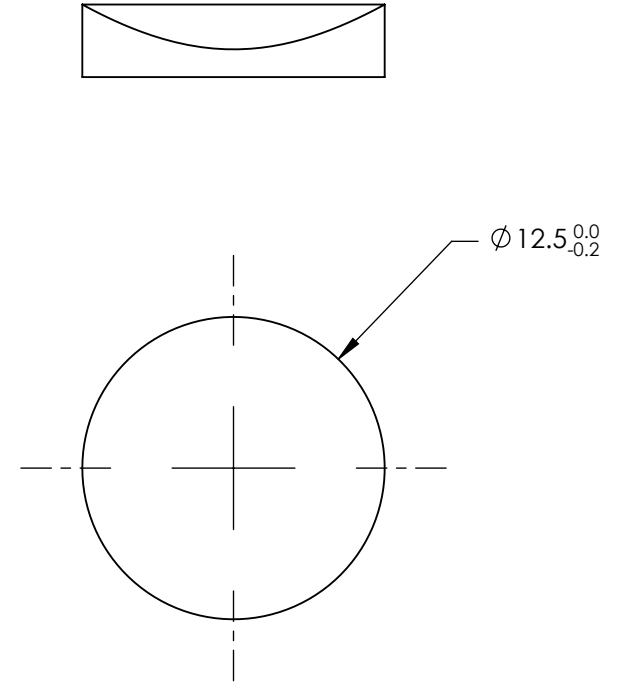
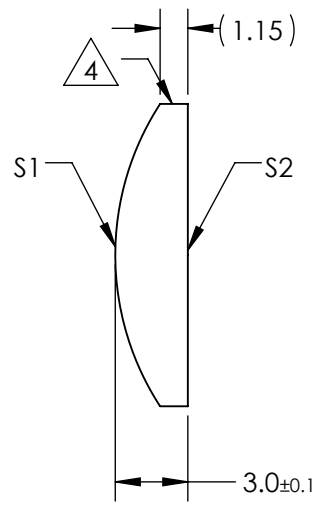
3. WEDGE TOLERANCE: <15 arcmin

4. FINE GROUND SURFACE


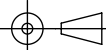
5. POWER, IRREGULARITY, AND SURFACE QUALITY SPECIFICATIONS APPLY ACROSS CLEAR APERTURE

6. RoHS COMPLIANT

**FOR INFORMATION ONLY:
DO NOT MANUFACTURE
PARTS TO THIS DRAWING**



SPECIFICATIONS SUBJECT TO CHANGE WITHOUT NOTICE
DIMENSIONS ARE FOR REFERENCE ONLY

REV. A	S1	S2	EFL	25	 Edmund Optics®	
SHAPE	CONVEX	PLANO	BFL	22.94		
RADIUS	11.46	∞	THIRD ANGLE PROJECTION 		TITLE	12.5mm DIAMETER X 25mm FL UV-AR COATED, UV PCX CYLINDER LENS
SURFACE QUALITY	40-20	40-20	ALL DIMS IN	mm	DWG NO	68176
CLEAR APERTURE	Ø11.50	Ø11.50	SHEET 1 OF 1			
COATING APERTURE	Ø11.50	Ø11.50				
BEVEL	PROTECTED AS NEEDED	PROTECTED AS NEEDED				