

NOTES:

1. SUBSTRATE MATERIAL:
FUSED SILICA

2. COATING (APPLY ACROSS CLEAR APERTURE)

S1 & S2: UV-AR

R(abs) ≤1.0% @ 250 - 425nm

R(avg) ≤0.75% @ 250 - 425 nm

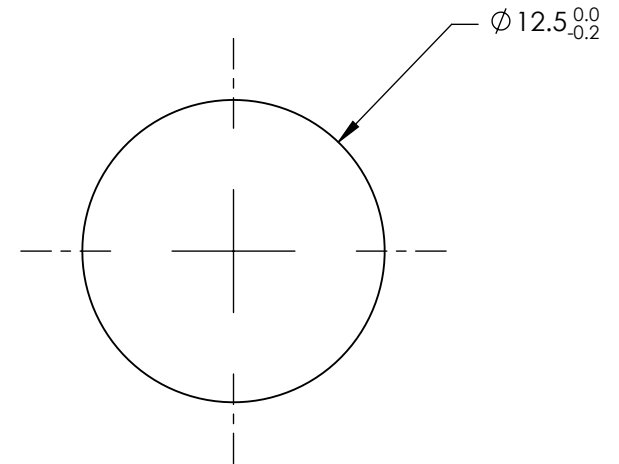
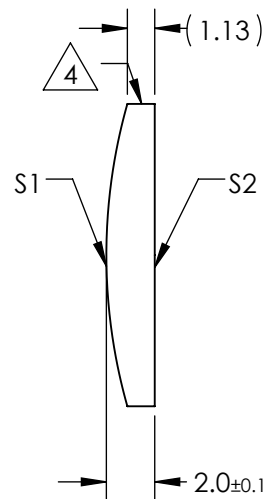
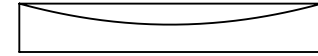
R(avg) ≤0.5% @ 370 - 420nm

3. WEDGE TOLERANCE: <15 arcmin

4. FINE GROUND SURFACE

5. POWER, IRREGULARITY, AND SURFACE QUALITY SPECIFICATIONS APPLY ACROSS CLEAR APERTURE

6. RoHS COMPLIANT



**FOR INFORMATION ONLY:
DO NOT MANUFACTURE
PARTS TO THIS DRAWING**

SPECIFICATIONS SUBJECT TO CHANGE WITHOUT NOTICE
DIMENSIONS ARE FOR REFERENCE ONLY

REV. A	S1	S2	EFL	50		Edmund Optics® 12.5mm DIAMETER X 50mm FL UV-AR COATED, UV PCX CYLINDER LENS	
SHAPE	CONVEX	PLANO	BFL	48.63			
RADIUS	22.93	∞	THIRD ANGLE PROJECTION		TITLE		
SURFACE QUALITY	40-20	40-20	ALL DIMS IN	mm	DWG NO		
CLEAR APERTURE	Ø11.50	Ø11.50					SHEET 1 OF 1
COATING APERTURE	Ø11.50	Ø11.50					
BEVEL	PROTECTED AS NEEDED	PROTECTED AS NEEDED					