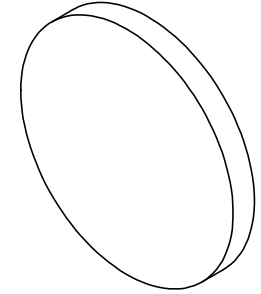


NOTES:

**FOR INFORMATION ONLY:  
DO NOT MANUFACTURE  
PARTS TO THIS DRAWING**

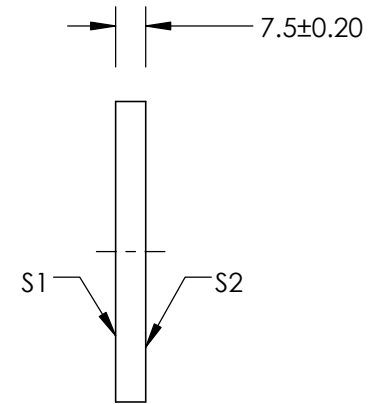
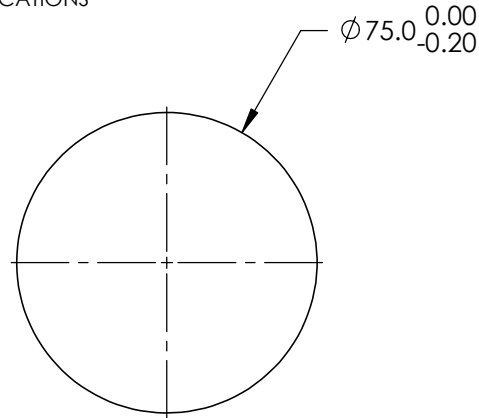


1. SUBSTRATE: FUSED SILICA
2. PARALLELISM : 30 ARCSEC
3. COATING SPECIFICATION:

PROTECTED SILVER

S1: R(avg) >98% @ 450 - 2000nm  
 R(avg) >98% @ 2000 - 10,000nm  
 S2: NONE

4. POWER, IRREGULARITY, AND SURFACE QUALITY SPECIFICATIONS  
 APPLY ACROSS CLEAR APERTURE
5. ROHS COMPLIANT



SPECIFICATIONS SUBJECT TO CHANGE WITHOUT NOTICE  
 DIMENSIONS ARE FOR REFERENCE ONLY

	S1	S2
SHAPE	PLANO	PLANO
SURFACE QUALITY	20-10	COMMERCIAL POLISH
SURFACE FLATNESS	$\lambda/20$	N/A
BEVEL	PROTECTIVE AS NEEDED	PROTECTIVE AS NEEDED

THIRD ANGLE PROJECTION

ALL DIMS IN mm

**EO**® **Edmund Optics**®

TITLE: Ø75mm,  $\lambda/20$ , PROTECTED SILVER MIRROR

DWG NO: 34400

SHEET 1 OF 1