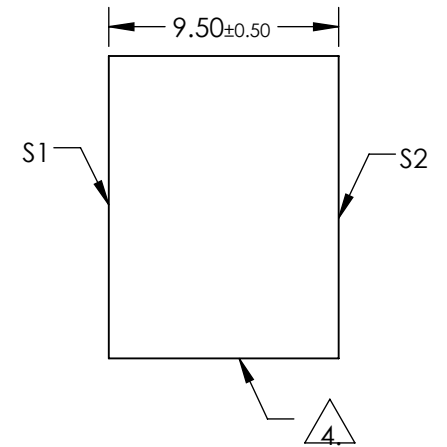
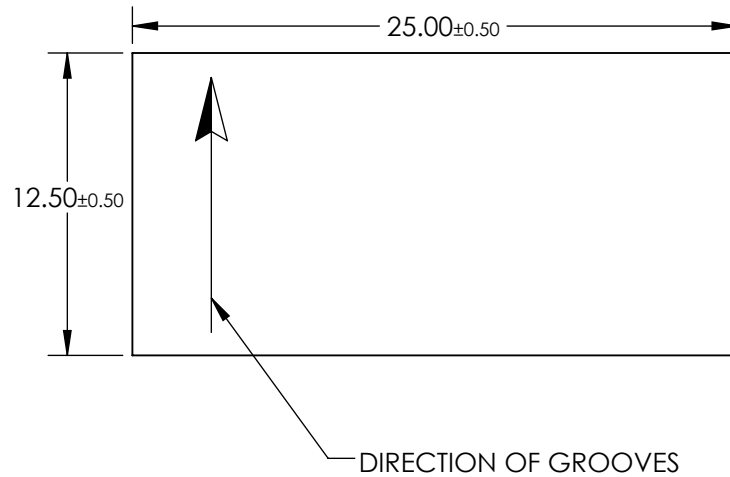
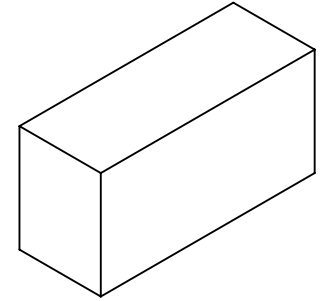


NOTES:

1. SUBSTRATE MATERIAL:  
FLOAT GLASS
2. COATING (APPLY ACROSS CLEAR APERTURE):  
S1: BARE ALUMINUM  
S2: NONE
3. WAVELENGTH RANGE: 250-400nm  
ABSOLUTE DIFFRACTION EFFICIENCY: 45-65%  
GROOVE DENSITY: 1800 grooves/mm
4. EDGES GROUND
5. RoHS: COMPLIANT



**FOR INFORMATION ONLY:  
DO NOT MANUFACTURE  
PARTS TO THIS DRAWING**

SPECIFICATIONS SUBJECT TO CHANGE WITHOUT NOTICE  
DIMENSIONS ARE FOR REFERENCE ONLY

**EO**® Edmund Optics®

	S1	S2	THIRD ANGLE PROJECTION		TITLE	GRATING HOLO 1800GR UV 12.5 X 25	
SHAPE	PLANO	PLANO	ALL DIMS IN	mm	DWG NO	43218	SHEET 1 OF 1
CLEAR APERTURE	11.25 x 22.5	11.25 x 22.5					