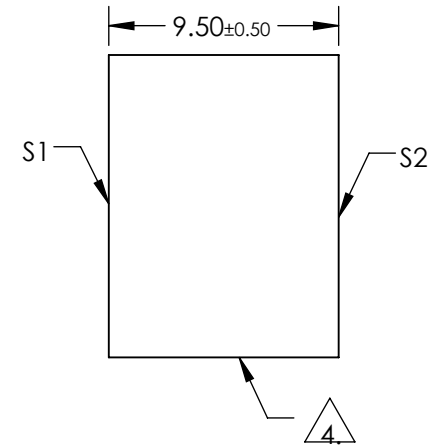
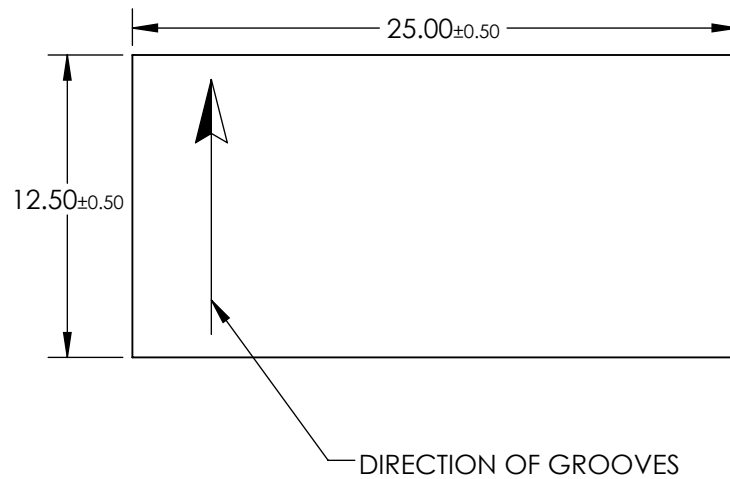
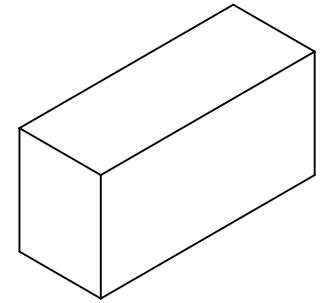


NOTES:

1. SUBSTRATE MATERIAL:  
FLOAT GLASS
2. COATING (APPLY ACROSS CLEAR APERTURE):  
S1: BARE ALUMINUM  
S2: NONE
3. WAVELENGTH RANGE: 250-700nm  
ABSOLUTE DIFFRACTION EFFICIENCY: 45-65%  
GROOVE DENSITY: 3600 grooves/mm
4. EDGES GROUND
5. RoHS: COMPLIANT



SPECIFICATIONS SUBJECT TO CHANGE WITHOUT NOTICE  
DIMENSIONS ARE FOR REFERENCE ONLY

**FOR INFORMATION ONLY:  
DO NOT MANUFACTURE  
PARTS TO THIS DRAWING**

**EO**® Edmund Optics®

|                |              |              |                        |    |        |                                  |              |
|----------------|--------------|--------------|------------------------|----|--------|----------------------------------|--------------|
|                | S1           | S2           | THIRD ANGLE PROJECTION |    | TITLE  | GRATING HOLO 3600GR UV 12.5 X 25 |              |
| SHAPE          | PLANO        | PLANO        | ALL DIMS IN            | mm | DWG NO | 43227                            | SHEET 1 OF 1 |
| CLEAR APERTURE | 11.25 x 22.5 | 11.25 x 22.5 |                        |    |        |                                  |              |