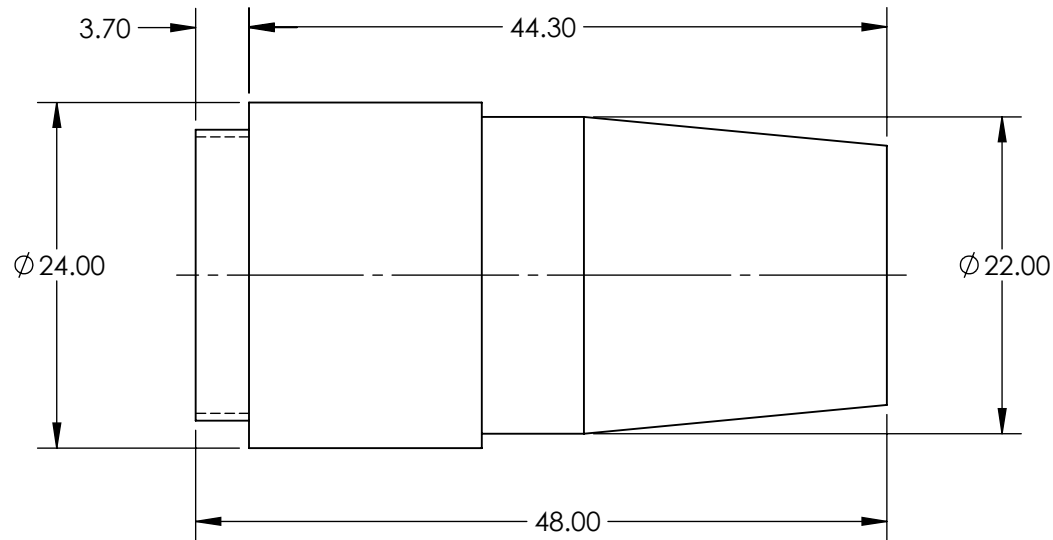
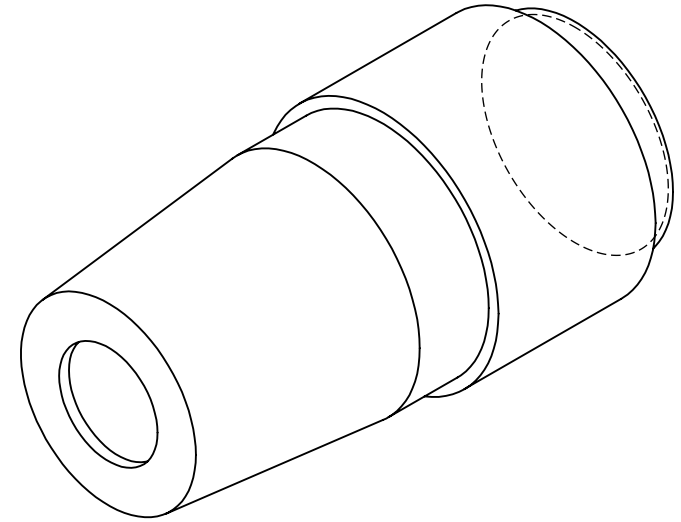


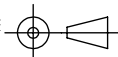
**FOR INFORMATION ONLY:
DO NOT MANUFACTURE
PARTS TO THIS DRAWING**



EFFECTIVE FOCAL LENGTH EFL (mm)	2.74
MAGNIFICATION	100X
MOUNTING THREAD	0.7965-36 TPI, 55° Whitworth
NUMERICAL APERTURE NA	1.25
WORKING DISTANCE (mm)	0.1
LENGTH EXCLUDING THREADS (mm)	46
MAXIMUM DIAMETER (mm)	24
TYPE	Plan, Spring-Loaded
RoHS	NOT COMPLIANT

SPECIFICATIONS SUBJECT TO CHANGE WITHOUT NOTICE
DIMENSIONS ARE FOR REFERENCE ONLY

EO® **Edmund Optics**®

THIRD ANGLE PROJECTION 

ALL DIMS IN mm

TITLE	100X DIN Plan Commercial Grade Objective		
DWG NO	43909	SHEET	1 OF 1