

NOTES:

**FOR INFORMATION ONLY:  
DO NOT MANUFACTURE  
PARTS TO THIS DRAWING**

1. SUBSTRATE:  
N-BK7
2. SURFACE S2 TO BE PARALLEL TO SURFACE S1 TO WITHIN 1 ARCMIN
3. COATING (APPLY ACROSS COATING APERTURE)  
S1: NONE  
S2: NONE

4. EDGES: FINE GROUND

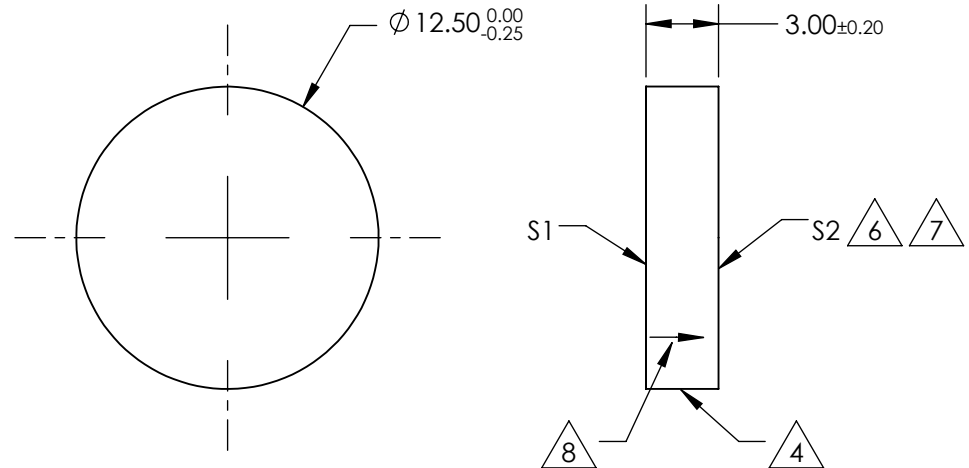
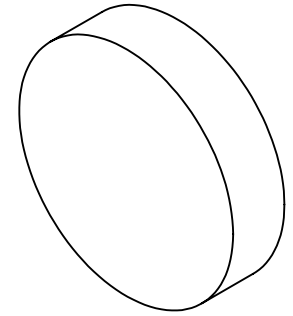
5. POWER, IRREGULARITY, AND SURFACE QUALITY SPECIFICATIONS APPLY ACROSS CLEAR APERTURE

6. TRANSMITTED WAVE FRONT OVER THE CLEAR APERTURE SHALL BE SPHERICAL ( $Y^4$ ) +1.00λ WAVE PEAK TO VALLEY @ 587nm.  
WAVE FRONT ERROR FROM IDEAL SPHERICAL FORM SHALL BE LESS THEN ±0.0625 WAVES

7. ASPHERIC SURFACE DESCRIBED BY (REF. COEFFICIENT TABLE):

$$Z(Y) = \frac{(\sqrt{RADIUS})^2 * Y^2}{1 + \sqrt{1 - (1+k) * (\sqrt{RADIUS})^2 * Y^2}} + D * Y^2 + E * Y^4 + F * Y^6 + G * Y^8 + H * Y^{10} + J * Y^{12} + L * Y^{14}$$

8. APPLY AN ARROW POINTING TOWARDS THE ASPHEREIC SURFACE S2 WITH PENCIL OR PERMANENT INK



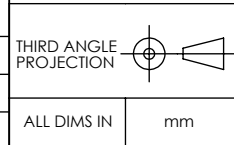
COEFFICIENT TABLE 7.

COEFFICIENT	S1	S2
k	0	0
D	0	0
E	0	-1.1356408E-06
G	0	0
H	0	0
J	0	0
L	0	0

SPECIFICATIONS SUBJECT TO CHANGE WITHOUT NOTICE  
DIMENSIONS ARE FOR REFERENCE ONLY

**Edmund Optics®**

	S1	S2
SHAPE	PLANO	PLANO
CLEAR APERTURE	>85	>85
SURFACE QUALITY	60-40	60-40
BEVEL	PROTECTIVE AS NEEDED	PROTECTIVE AS NEEDED



TITLE	12.5mm DIA +1.00λ ABERRATION, SPHERICAL ABERRATION PLATE
DWG NO	66753
SHEET 1 OF 1	