

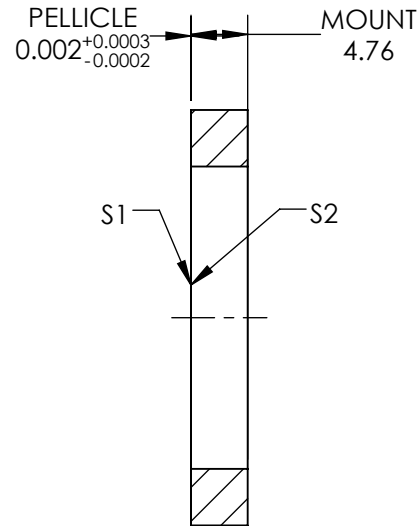
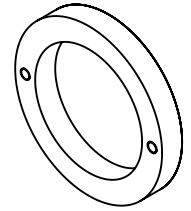
NOTES:

1. SUBSTRATE MATERIAL:  
NITROCELLULOSE
2. COATING (APPLY ACROSS COATING APERTURE)

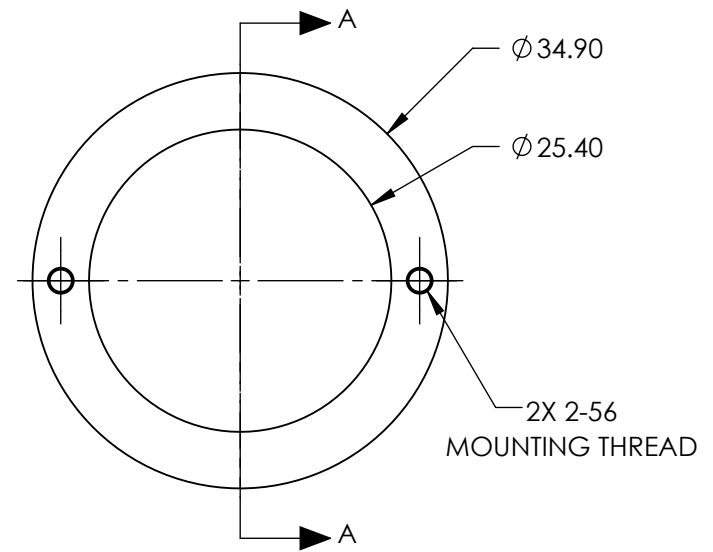
S1: UNCOATED  
8% R @ 400 - 2200nm @ 45° AOI  
92% T @ 400 - 2200nm @ 45° AOI  
R/T TOLERANCE: ±3%

S2: NONE

3. ROHS : EXEMPT



SECTION A-A



**FOR INFORMATION ONLY:  
DO NOT MANUFACTURE  
PARTS TO THIS DRAWING**

SPECIFICATIONS SUBJECT TO CHANGE WITHOUT NOTICE  
DIMENSIONS ARE FOR REFERENCE ONLY

REV.A.	S1	S2
SHAPE	PLANO	PLANO
SURFACE QUALITY	40-20	40-20
CLEAR APERTURE	Ø25.40	Ø25.40
BEVEL	PROTECTIVE AS NEEDED	PROTECTIVE AS NEEDED



ALL DIMS IN

mm

**EO**® Edmund Optics®

TITLE

BS PELLICLE 1in DIA 8R/92T

DWG NO

39478

SHEET  
1 OF 1