

NOTES:

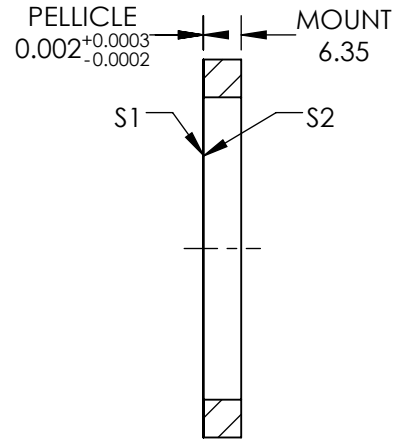
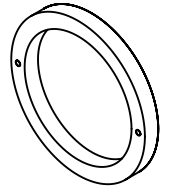
- SUBSTRATE MATERIAL:
NITROCELLULOSE
- COATING (APPLY ACROSS COATING APERTURE)

S1: UNCOATED

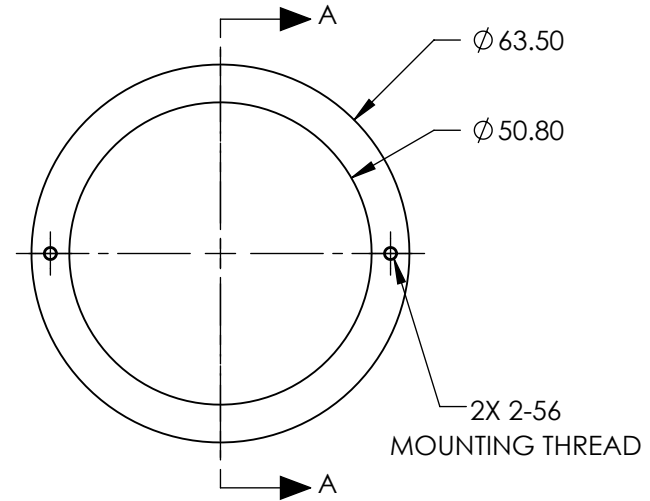
8% R @ 400 - 2200nm @ 45° AOI
92% T @ 400 - 2200nm @ 45° AOI
R/T TOLERANCE: ±3%

S2: NONE

- ROHS : EXEMPT



SECTION A-A



**FOR INFORMATION ONLY:
DO NOT MANUFACTURE
PARTS TO THIS DRAWING**

SPECIFICATIONS SUBJECT TO CHANGE WITHOUT NOTICE
DIMENSIONS ARE FOR REFERENCE ONLY

REV.A.	S1	S2
SHAPE	PLANO	PLANO
SURFACE QUALITY	40-20	40-20
CLEAR APERTURE	Ø50.80	Ø50.80
BEVEL	PROTECTIVE AS NEEDED	PROTECTIVE AS NEEDED



ALL DIMS IN

mm

EO® Edmund Optics®

TITLE

BS PELLICLE 2in DIA 8R/92T

DWG NO

39482

SHEET
1 OF 1