

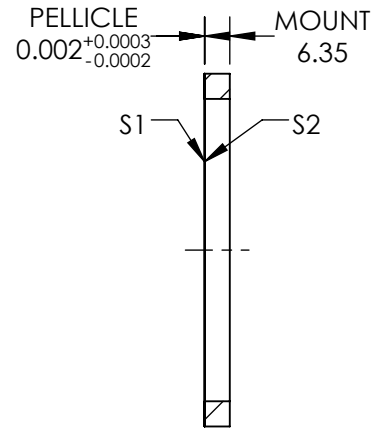
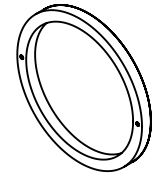
NOTES:

- SUBSTRATE MATERIAL:  
NITROCELLULOSE
- COATING (APPLY ACROSS COATING APERTURE)

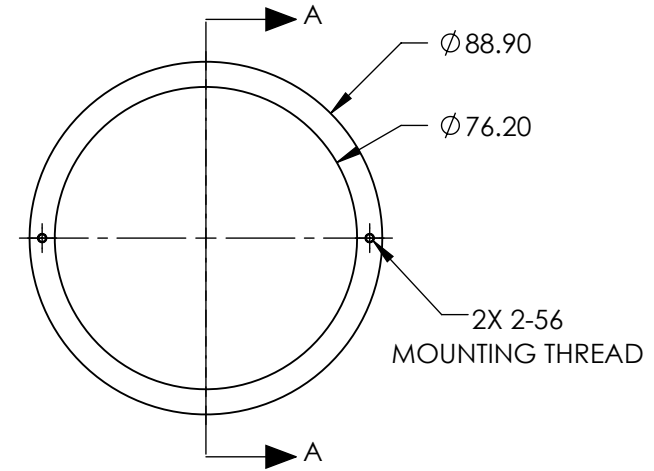
S1: UNCOATED  
8% R @ 400 - 2200nm @ 45° AOI  
92% T @ 400 - 2200nm @ 45° AOI  
R/T TOLERANCE: ±3%

S2: NONE

- ROHS : EXEMPT



SECTION A-A



**FOR INFORMATION ONLY:  
DO NOT MANUFACTURE  
PARTS TO THIS DRAWING**

SPECIFICATIONS SUBJECT TO CHANGE WITHOUT NOTICE  
DIMENSIONS ARE FOR REFERENCE ONLY

**EO**® Edmund Optics®

| REV.A.          | S1                   | S2                   |
|-----------------|----------------------|----------------------|
| SHAPE           | PLANO                | PLANO                |
| SURFACE QUALITY | 40-20                | 40-20                |
| CLEAR APERTURE  | Ø76.20               | Ø76.20               |
| BEVEL           | PROTECTIVE AS NEEDED | PROTECTIVE AS NEEDED |

THIRD ANGLE PROJECTION

ALL DIMS IN mm

|        |                            |       |        |
|--------|----------------------------|-------|--------|
| TITLE  | BS PELLICLE 3in DIA 8R/92T |       |        |
| DWG NO | 39486                      | SHEET | 1 OF 1 |