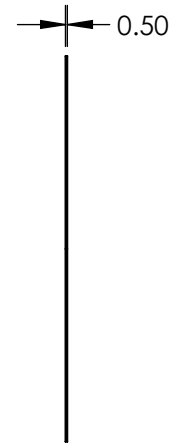
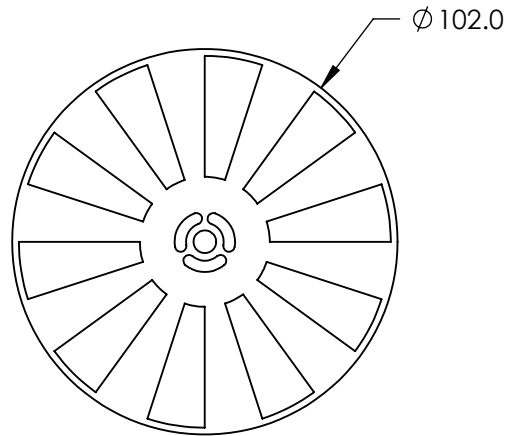
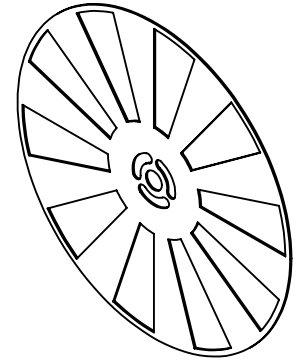


NOTES:

1. MATERIAL: HALF HARD BRASS, CHEMICALLY BLACKENED FINISH
2. RoHS: COMPLIANT

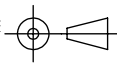


**FOR INFORMATION ONLY:
DO NOT MANUFACTURE
PARTS TO THIS DRAWING**

SPECIFICATIONS SUBJECT TO CHANGE WITHOUT NOTICE
DIMENSIONS ARE FOR REFERENCE ONLY

EO® Edmund Optics®

	VALUE
MAX APERTURE (mm)	15.4 PER SLOT
MAX PHASE JITTER (°)	±1.0
FREQUENCY (Hz)	25 - 1000

THIRD ANGLE PROJECTION 

ALL DIMS IN mm

TITLE	STANDARD REPLACEMENT BLADE - 10 SLOT		
DWG NO	56068	SHEET	1 OF 1