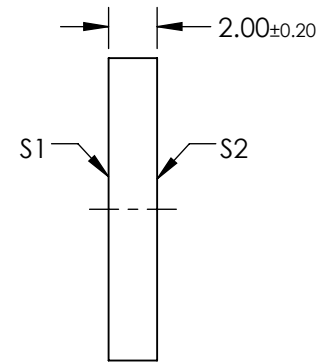
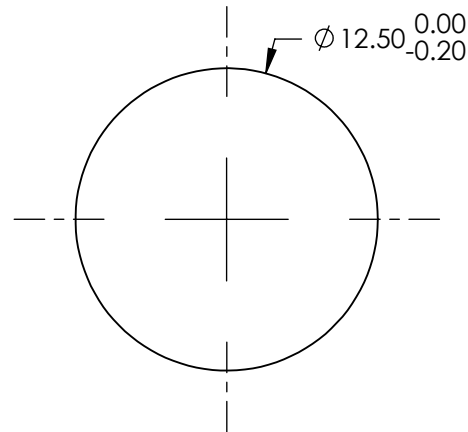
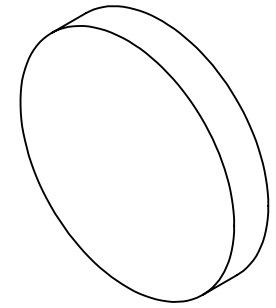


NOTES:

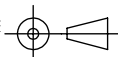
1. SUBSTRATE: B270
2. RoHS: COMPLIANT
3. SURFACE S2 TO BE PARALLEL TO SURFACE S1 TO WITHIN < 4 arcmin
4. S1 & S2:
AR: Ravg <0.5% @ 400 - 700nm



**FOR INFORMATION ONLY:
DO NOT MANUFACTURE
PARTS TO THIS DRAWING**

SPECIFICATIONS SUBJECT TO CHANGE WITHOUT NOTICE
DIMENSIONS ARE FOR REFERENCE ONLY

REV. A	
EXTINCTION RATIO	10000
OPERATING TEMPERATURE (°C)	-25 to +65
SURFACE FLATNESS	<1λ
TRANSMISSION	25% @ ±2%

THIRD ANGLE PROJECTION 

ALL DIMS IN mm

EO® Edmund Optics®

TITLE	12.5mm DIA. HIGH CONTRAST LINEAR GLASS POLARIZER		
DWG NO	47215	SHEET	1 OF 1