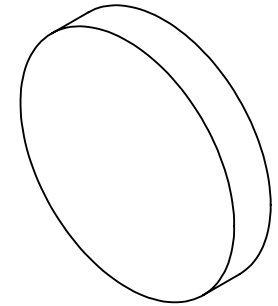


NOTES:

1. SUBSTRATE: BOROFLOAT®

**FOR INFORMATION ONLY:  
DO NOT MANUFACTURE  
PARTS TO THIS DRAWING**



2. PARABOLIC SURFACE:  
 $Z=Y^2/[4 * EFL]$

3. COATING (APPLY ACROSS COATING APERTURE)  
PROTECTED ALUMINUM (400-2000nm)

S1: Ravg >85% @ 400 - 700nm  
Ravg >90% @ 400 - 2000nm

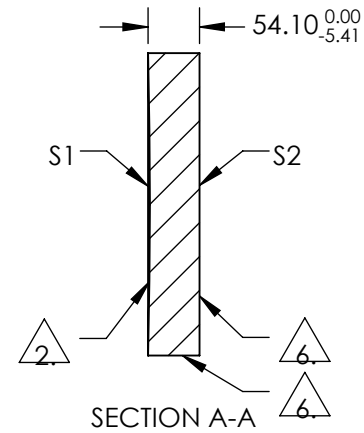
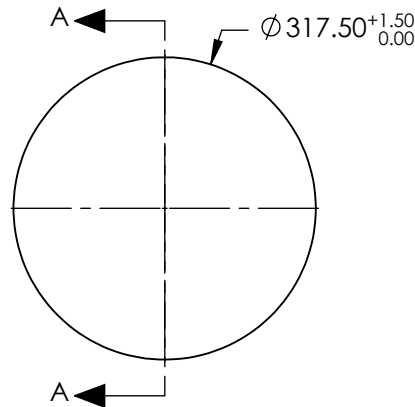
S2: NONE

4. EDGES: MOLDED EDGE ACCEPTABLE

5. POWER, IREGULARITY, SURFACE QUALITY AND COATING  
SPECIFICATIONS APPLY ACROSS CLEAR APERTURE

6. FINE GRIND SURFACE

7. RoHS: COMPLIANT



	S1	S2
SHAPE	CONCAVE	PLANO
CLEAR APERTURE	Ø286.0	N/A
EFFECTIVE FOCAL LENGTH	3175	N/A
FOCAL LENGTH TOLERANCE	±1.5%	N/A
SURFACE QUALITY	60-40	FINE GRIND
SURFACE FLATNESS	λ/8	N/A
BEVEL	PROTECTIVE AS NEEDED	PROTECTIVE AS NEEDED

SPECIFICATIONS SUBJECT TO CHANGE WITHOUT NOTICE  
DIMENSIONS ARE FOR REFERENCE ONLY



THIRD ANGLE PROJECTION	TITLE	12.5 IN F10 1/8W PARAB PRO AL	
ALL DIMS IN	mm	DWG NO	35730522
			SHEET 1 OF 1