

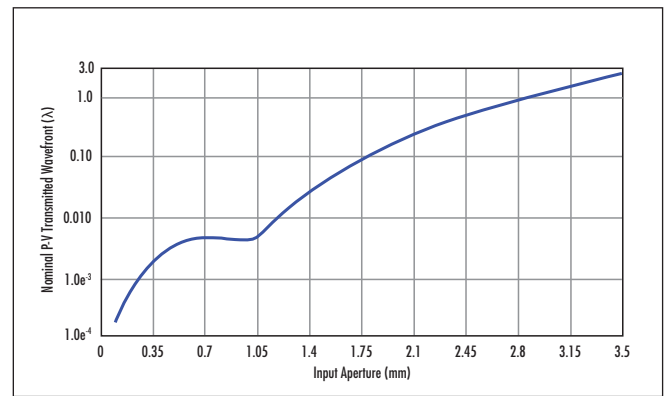
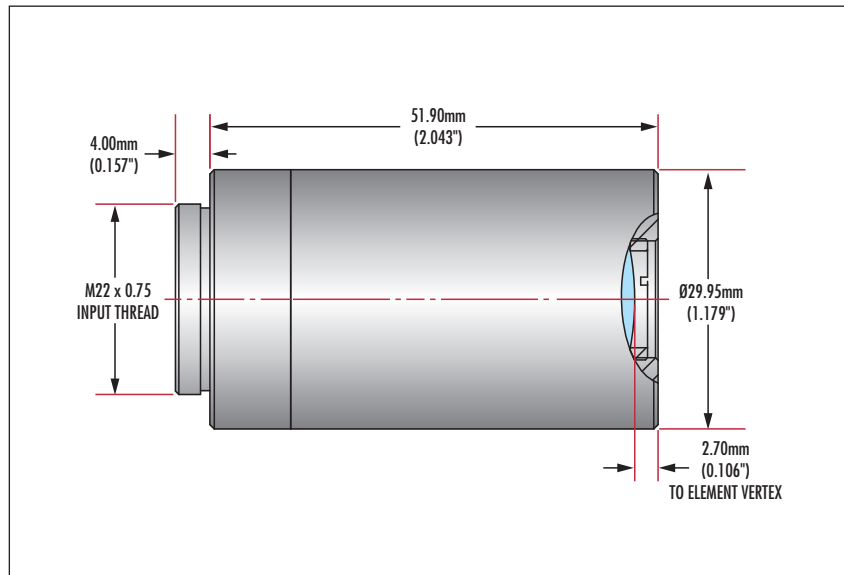
# TECHSPEC® Scorpii™ Nd:YAG Beam Expanders

532nm • 5X #37-056

TECHSPEC® Scorpii™ Nd:YAG Beam Expanders are designed for beam expansion applications such as laser engraving and material processing. These beam expanders feature AR coatings and are designed for the Nd:YAG laser wavelengths 355nm, 532nm, and 1064nm. The Scorpii beam expanders are available in multiple fixed magnifications from 2X to 10X with M22 x 0.75 threading. TECHSPEC® Scorpii™ Nd:YAG Beam Expanders are a cost-effective solution for system integration. Ideal for OEM quantities, these beam expanders can quickly meet prototyping and application timelines.

<b>Design Wavelength:</b>	532nm
<b>Expansion Power:</b>	5X
<b>Design Wavefront (P-V):</b>	$\lambda/4$
<b>Max Beam to Fill 85% of Output Aperture*:</b>	1.7mm
<b>Transmission @ DWL:</b>	98%
<b>Entrance Aperture:</b>	3.5mm
<b>Exit Aperture:</b>	10mm
<b>Housing Diameter:</b>	29.95mm
<b>Overall Length:</b>	52mm
<b>Weight:</b>	91g
<b>Mounting Thread:</b>	M22 x 0.75
<b>Substrate:</b>	Optical Glass
<b>Divergence Adjustment:</b>	None

\*Maximum beam diameter to utilize full clear aperture of the beam expander  
Specifications subject to change



TECHSPEC® Scorpii™ Nd:YAG Beam Expanders are designed with diffraction-limited performance for a range of input beam diameters. These beam expanders are designed to increase the input beam diameter to a larger collimated beam. For custom wavelength and magnification combinations, please contact us.