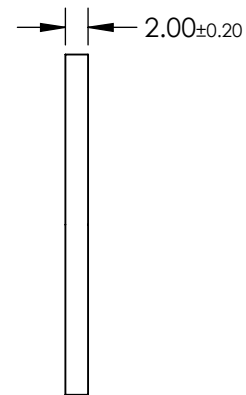
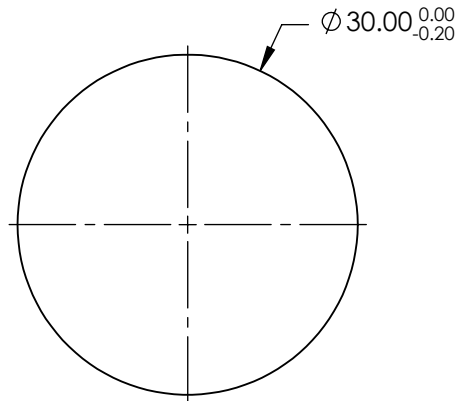
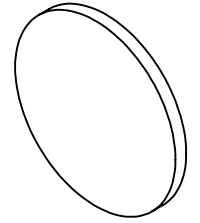


NOTES:

1. SUBSTRATE: B270
2. COATING (APPLY ACROSS COATING APERTURE)
S1 &S2: UNCOATED
3. CONSTRUCTION: DICHROIC
4. THE POLARIZER CONSISTS OF A POLYMER POLARIZATION FILM CEMENTED BETWEEN TWO PIECES OF OPTICAL GLASS
5. ROHS: COMPLIANT



**FOR INFORMATION ONLY:
DO NOT MANUFACTURE
PARTS TO THIS DRAWING**

SPECIFICATIONS SUBJECT TO CHANGE WITHOUT NOTICE
DIMENSIONS ARE FOR REFERENCE ONLY

EO® Edmund Optics®

REV. A	VALUE	THIRD ANGLE PROJECTION		TITLE	Ø30mm, 1000-2000nm, NIR LINEAR POLARIZER	
WAVELENGTH RANGE (nm)	1000 - 2000	ALL DIMS IN	mm	DWG NO	48889	
EXTINCTION RATIO	>1000:1			SHEET		1 OF 1
TRANSMISSION	33%					