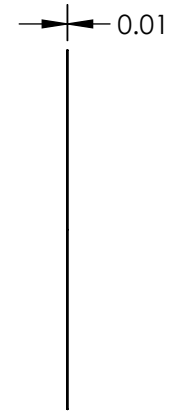
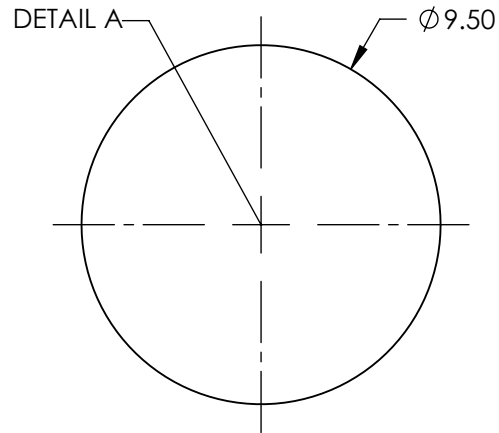
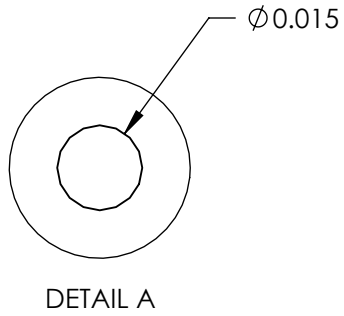
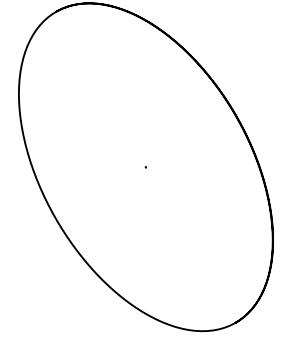


NOTES:

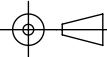
- 1. MATERIAL: STAINLESS STEEL
- 2. RoHS: COMPLIANT



SPECIFICATIONS SUBJECT TO CHANGE WITHOUT NOTICE
DIMENSIONS ARE FOR REFERENCE ONLY

**FOR INFORMATION ONLY:
DO NOT MANUFACTURE
PARTS TO THIS DRAWING**

EO® Edmund Optics®

THIRD ANGLE PROJECTION 		TITLE	15µm APERTURE DIAMETER, UNMOUNTED, PRECISION PINHOLE	
ALL DIMS IN	mm	DWG NO	38540	SHEET 1 OF 1