

NOTES:

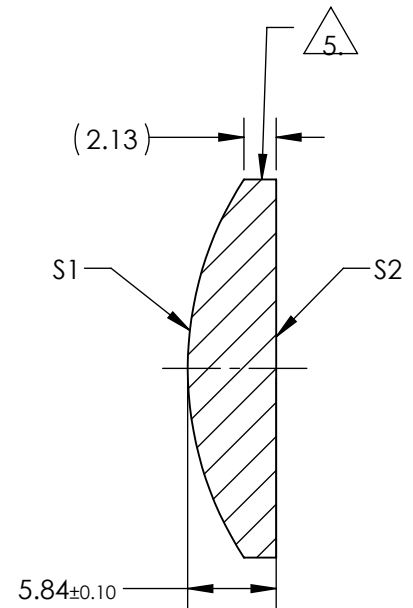
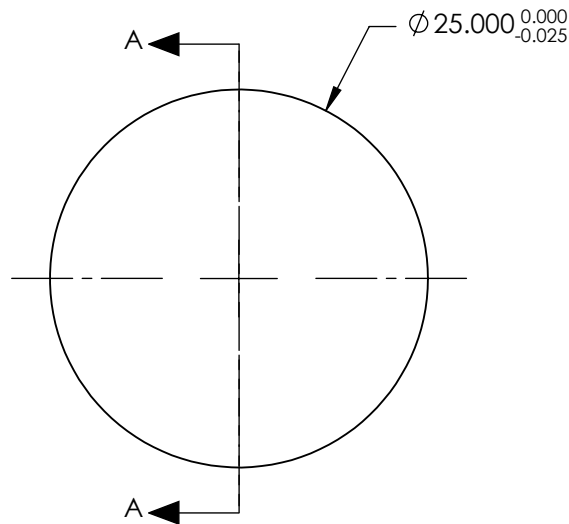
1. SUBSTRATE
FUSED SILICA
2. ROHS COMPLIANT
3. CENTERING TOLERANCE (AT 587.6nm):
BEAM DEVIATION (HALF ANGLE): <1 ARCMIN
4. COATING (APPLY ACROSS COATING APERTURE):

S1 & S2: NONE
R(ABS) <0.25% @ 355nm @ 0° AOI

DAMAGE THRESHOLD,
PULSED: 7.5 J/cm² @ 355nm, 20ns 20Hz

5. FINE GRIND SURFACE

6. POWER, IRREGULARITY, AND SURFACE QUALITY SPECIFICATIONS
APPLY ACROSS CLEAR APERTURE
7. FOCAL LENGTH (EFL): 50mm±1%
BACK FOCAL LENGTH (BFL): 46mm



SECTION A-A

**FOR INFORMATION ONLY:
DO NOT MANUFACTURE
PARTS TO THIS DRAWING**

	S1	S2
SHAPE	CONVEX	PLANO
RADIUS	22.92	INFINITY
SURFACE ACCURACY (P-V)	$\lambda/20$	$\lambda/20$
SURFACE QUALITY	20-10	20-10
MIN CLEAR APERTURE	Ø22.50	Ø22.50
MIN COATING APERTURE	N/A	N/A
BEVEL	PROTECTIVE AS NEEDED	PROTECTIVE AS NEEDED

SPECIFICATIONS SUBJECT TO CHANGE WITHOUT NOTICE
DIMENSIONS ARE FOR REFERENCE ONLY

Edmund Optics®



ALL DIMS IN

mm

TITLE

25mm Dia. x 50mm FL, 355nm Laser V-Coat,
 $\lambda/20$ PCX Lens

DWG NO

38765

SHEET
1 OF 1