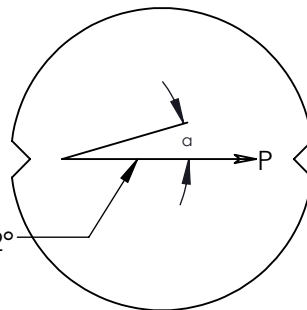
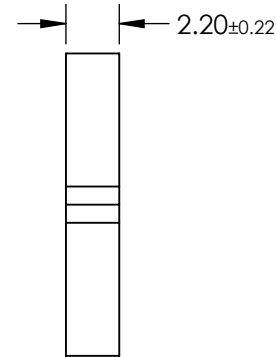
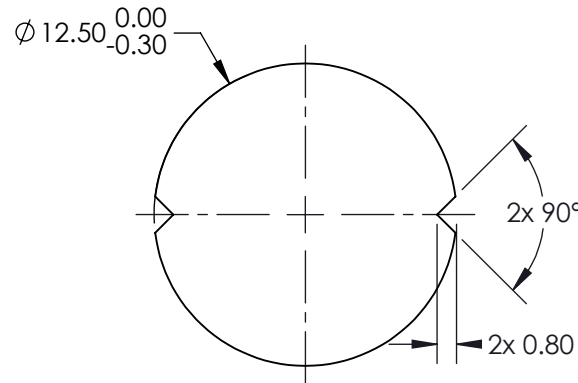
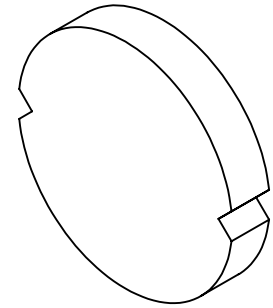


NOTES:

1. SUBSTRATE: PMMA
2. WAVELENGTH RANGE (nm): 400 - 700
3. EXTINCTION RATIO: 9000:1
4. OPERATING TEMPERATURE (°C): -40 to +80
5. TRANSMISSION (%):
 Single: 42
 Parallel: 36
 Crossed: < 0.004
6. RoHS: COMPLIANT

**FOR INFORMATION ONLY:
DO NOT MANUFACTURE
PARTS TO THIS DRAWING**



POLARIZATION AXIS P $\alpha = 0^\circ \pm 2^\circ$

SPECIFICATIONS SUBJECT TO CHANGE WITHOUT NOTICE
DIMENSIONS ARE FOR REFERENCE ONLY

THE POLARIZERS CONSISTS OF A POLYMER POLARIZATION
FILM LAMINATED ONTO PMMA.

EO® **Edmund Optics**®

THIRD ANGLE PROJECTION		TITLE	12.5mm Diameter Linear Plastic Polarizer, Unmounted	
ALL DIMS IN	mm	DWG NO	85917	SHEET 1 OF 1