

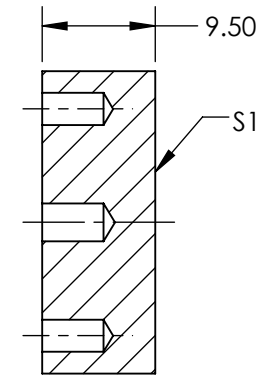
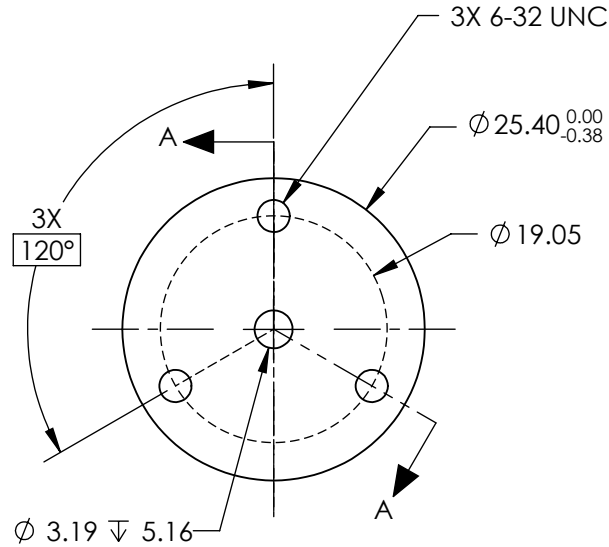
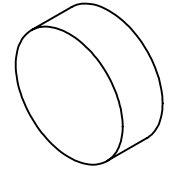
NOTES:

1. SUBSTRATE MATERIAL:
ALUMINUM
2. FINISH (EXCEPT SURFACE S1):
BLACK ANODIZED
3. COATING (APPLY ACROSS CLEAR APERTURE)

S1: PROTECTED ALUMINUM
R(AVG) >85% @ 400 - 700nm
R(AVG) >70% @ 700 - 2000nm
R(AVG) >97% @ 2 - 12µm

SURFACE ROUGHNESS: <175Å
4. ROHS COMPLIANT

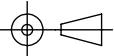
**FOR INFORMATION ONLY:
DO NOT MANUFACTURE
PARTS TO THIS DRAWING**



SECTION A-A

SPECIFICATIONS SUBJECT TO CHANGE WITHOUT NOTICE
DIMENSIONS ARE FOR REFERENCE ONLY

EO® Edmund Optics®

	S1	THIRD ANGLE PROJECTION 	TITLE	Ø25.4mm, ALUM. COATED, ALUM. SUBSTRATE MIRROR	
SHAPE	CONVEX		ALL DIMS IN	mm	DWG NO
SURFACE ACCURACY AT 632.8nm	λ/4 RMS				SHEET 1 OF 1
SURFACE QUALITY	80-50				