

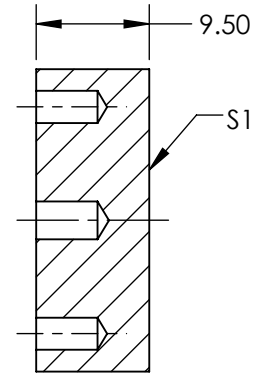
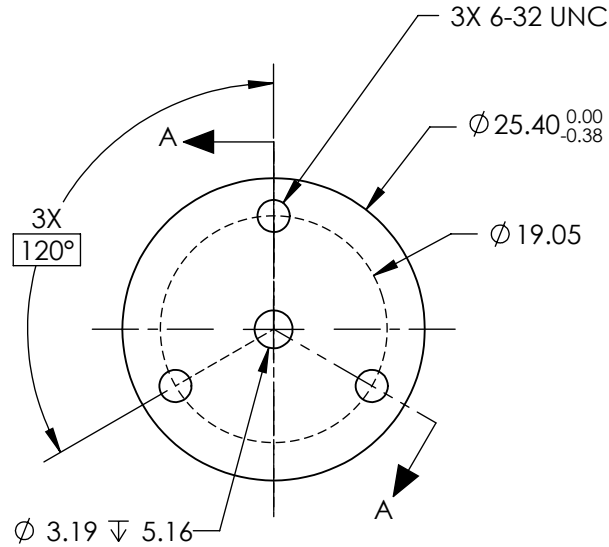
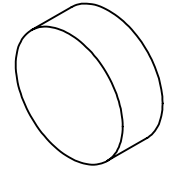
NOTES:

1. SUBSTRATE MATERIAL:
ALUMINUM
2. FINISH (EXCEPT SURFACE S1):
BLACK ANODIZED
3. COATING (APPLY ACROSS CLEAR APERTURE)

S1: PROTECTED ALUMINUM
R(AVG) >94% @ 700 - 800nm
R(AVG) >97% @ 800 - 2000nm
R(AVG) >98% @ 2 - 12µm

SURFACE ROUGHNESS: <175Å
4. ROHS COMPLIANT

FOR INFORMATION ONLY:
DO NOT MANUFACTURE
PARTS TO THIS DRAWING



SECTION A-A

SPECIFICATIONS SUBJECT TO CHANGE WITHOUT NOTICE
DIMENSIONS ARE FOR REFERENCE ONLY



	S1				
SHAPE	CONVEX	THIRD ANGLE PROJECTION		TITLE	Ø25.4mm, GOLD COATED, ALUM. SUBSTRATE MIRROR
SURFACE ACCURACY AT 632.8nm	λ/4 RMS			DWG NO	47114
SURFACE QUALITY	80-50	ALL DIMS IN	mm		