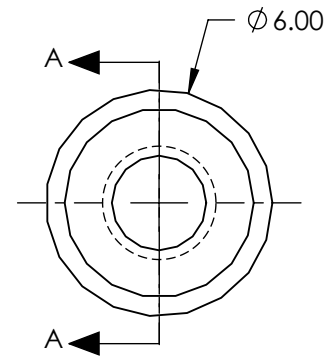
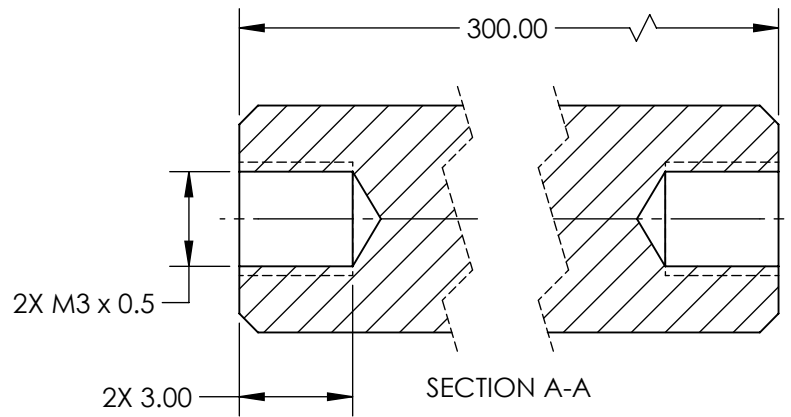
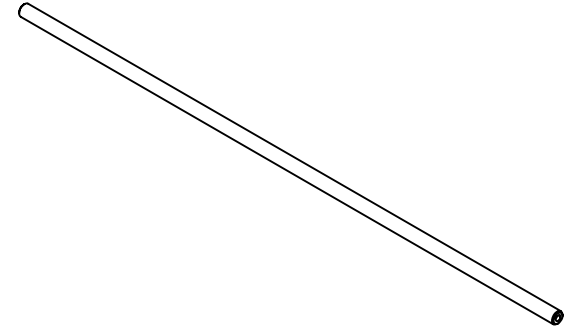


NOTES:

- 1. MATERIAL: STAINLESS STEEL
- 2. RoHS: COMPLIANT



SPECIFICATIONS SUBJECT TO CHANGE WITHOUT NOTICE  
DIMENSIONS ARE FOR REFERENCE ONLY

**FOR INFORMATION ONLY:  
DO NOT MANUFACTURE  
PARTS TO THIS DRAWING**

**EO**® Edmund Optics®

THIRD ANGLE PROJECTION		TITLE	6mm DIAMETER x 300mm LENGTH, M3, CAGE SUPPORT ROD	
ALL DIMS IN	mm	DWG NO	85492	SHEET 1 OF 1